

LA CORNUE

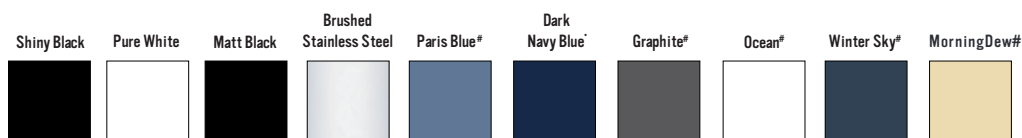
CornuFé Range Cookers

110 cm Available in Dual Fuel



With a large array of colours and trims available, there are many options for you to create a unique cooker to suit your desires and your style.

Price on request

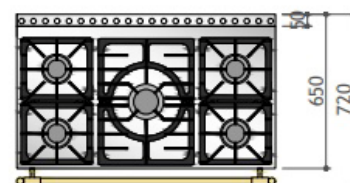
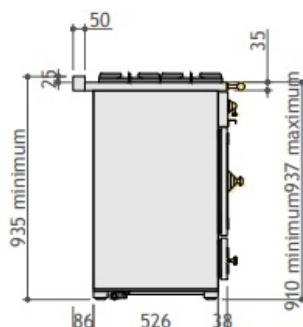
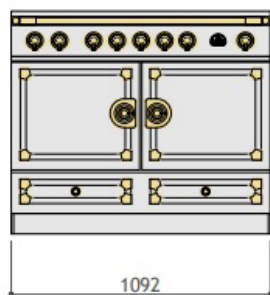


*Run out #Special order

CornuFé Range Cooker Specifications

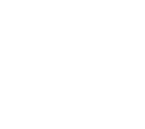
FEATURES	CORNUFE 110 DUAL FUEL
MODEL NUMBER	CFE110DF + COLOUR
WIDTH (MM)	1092
DEPTH EX INC HANDLES (MM)	650 720
HEIGHT - UP TO HOTPLATE (MM)	910 937
HEIGHT - TO TOP OF PAN SUPPORTS (MM)	952 977
HOB RATINGS - MJ GAS (NATURAL LPG)	1 X 20.2MJ 18.4MJ 3 X 13.3MJ 12.6MJ 1 X 6.5MJ 6.3MJ
SUPPLY PRESSURE - NATURAL LPG	1.13KPA 2.75KPA
OPERATING PRESSURE - NATURAL LPG	1.00KPA 2.54KPA
LPG CONVERSION KIT INCLUDED	YES
MAX. TOTAL CONNECTED LOAD (KW) @230V	5.14
ELECTRICAL CONNECTION (AMPS)	22.3
OVEN CAPACITY LITRES LH RH >> LITRES BASED ON EUROPEAN STANDARDS MEASUREMENTS	79 79
OVEN TEMPERATURE	80°C – 240°C
TRIM MATERIAL	SOLID BRASS OR NICKLE
OVEN FUEL LH RH	ELECTRIC ELECTRIC
OVEN TYPE LH RH	MULTI FUNCTION FAN
INTERNAL OVEN CAVITY WXD XH (MM) - LEFT	460 X 420 X 377
MAXIMUM TRAY SIZE W X D (MM) - LEFT (AIR MUST BE ABLE TO CIRCULATE)	417 X 322
INTERNAL OVEN CAVITY WXD XH (MM) - RIGHT	460 X 420 X 410
MAXIMUM TRAY SIZE W X D (MM) - RIGHT (AIR MUST BE ABLE TO CIRCULATE)	417 X 322
GRILL FUEL	ELECTRIC
GRIDDLE	OPTIONAL EXTRA SIT ON
WOK CRADLE	OPTIONAL EXTRA SIT ON
CAST IRON PAN SUPPORTS	YES
FLAME FAILURE SAFETY DEVICE	YES
ELECTRONIC IGNITION	UNDER KNOB
DOOR OPENING LH RH	SIDE SIDE
DOOR TYPE LH RH	SOLID SOLID
OVEN LIGHT (HALOGEN)	X2
STORAGE DRAWER (INTERNAL)	995MM W X 360MM D X 130MM H
FULL CAPACITY TELESCOPIC SHELF WITH RUNNERS (PAIR)	NOT AVAILABLE
OVEN BASE TRAY	X2
FLAT SHELVES	X2
DROP SHELVES	X2
DELUXE OVEN TRAY	X2
DELUXE OVEN TRAY TRIVET	X1
NO. OF SHELF LEVELS	5
OVEN FUNCTIONS	
BASE HEAT	LH
BROWNING ELEMENT	LH
CONVENTIONAL OVEN	LH
DEFROST	LH
FAN ASSISTED	LH
FANNED GRILLING	LH
FAN OVEN	LH & RH
WEIGHT & WARRANTY	
WEIGHT (KG)	140
5 YEAR WARRANTY	YES
MADE IN	UK

CHOOSE A COLOUR	CHOOSE A TRIM BELOW		
	BRUSHED NICKEL & STAINLESS STEEL (SS HANDRAIL)	POLISHED BRASS & STAINLESS STEEL (PB HANDRAIL)	POLISHED CHROME & STAINLESS STEEL (SS HANDRAIL)
SHINY BLACK	YES	YES	SPECIAL ORDER
PURE WHITE	YES	YES	SPECIAL ORDER
MATT BLACK	YES	YES	SPECIAL ORDER
BRUSHED STAINLESS STEEL	YES	YES	SPECIAL ORDER
PARIS BLUE	SPECIAL ORDER	SPECIAL ORDER	SPECIAL ORDER
DARK NAVY BLUE (RUN OUT)	YES	YES	N/A
GRAPHITE	SPECIAL ORDER	SPECIAL ORDER	SPECIAL ORDER
OCEAN	SPECIAL ORDER	SPECIAL ORDER	SPECIAL ORDER
WINTER SKY	SPECIAL ORDER	SPECIAL ORDER	SPECIAL ORDER
MORNING DEW	SPECIAL ORDER	SPECIAL ORDER	SPECIAL ORDER
BESPOKE	ALL BESPOKE COLOURS AND TRIMS ARE SPECIAL ORDER		



2 gas burners (2 x 13.3mj)
1 single gas burner (20.2mj)
2 gas burners (back burner 13.3mj, front burner 6.5mj)

PRICELIST - STANDARD



PRODUCT CODE	COLOUR	TRIM	Retail Price (inc GST)
CornuFé 110 Cooker			
CFE110DFSS/N	Brushed S/Steel	Brushed Nickel S/Steel	\$23,975
CFE110DFSS/BN	Brushed S/Steel	Polished Brass S/Steel	
CFE110DFSS/C	Brushed S/Steel	Polished Chrome S/Steel [^]	
CFE110DFNB/N	Dark Navy Blue	Brushed Nickel S/Steel	
CFE110DFNB/BN	Dark Navy Blue	Polished Brass S/Steel	
CFE110DFMB/N	Matt Black	Brushed Nickel S/Steel	
CFE110DFMB/BN	Matt Black	Polished Brass S/Steel	
CFE110DFMB/C	Matt Black	Polished Chrome S/Steel [^]	
CFE110DFPB/N	Paris Blue [^]	Brushed Nickel S/Steel	
CFE110DFPB/BN	Paris Blue [^]	Polished Brass S/Steel	
CFE110DFPB/C	Paris Blue [^]	Polished Chrome S/Steel [^]	
CFE110DFWH/N	Pure White	Brushed Nickel S/Steel	
CFE110DFWH/BN	Pure White	Polished Brass S/Steel	
CFE110DFWH/C	Pure White	Polished Chrome S/Steel [^]	
CFE110DFBL/N	Shiny Black	Brushed Nickel S/Steel	
CFE110DFBL/BN	Shiny Black	Polished Brass S/Steel	
CFE110DFBL/C	Shiny Black	Polished Chrome S/Steel [^]	

[^]Special order only. Please contact us for availability and lead time.

Run Out (run out models denoted in red). Check availability prior to placing an order to avoid disappointment.

PRICELIST - ÉTOILÉ RANGE



PRODUCT CODE	COLOUR	TRIM	Retail Price (inc GST)
CornuFé 110 Cooker			
CFE110DFGR/N	Graphite	Brushed Nickel S/Steel	\$24,975
CFE110DFGR/BN	Graphite	Polished Brass S/Steel	
CFE110DFGR/C	Graphite	Polished Chrome S/Steel	
CFE110DFMD/N	Morning Dew	Brushed Nickel S/Steel	
CFE110DFMD/BN	Morning Dew	Polished Brass S/Steel	
CFE110DFMD/C	Morning Dew	Polished Chrome S/Steel	
CFE110DFOC/N	Ocean	Brushed Nickel S/Steel	
CFE110DFOC/BN	Ocean	Polished Brass S/Steel	
CFE110DFOC/C	Ocean	Polished Chrome S/Steel	
CFE110DFWS/N	Winter Sky	Brushed Nickel S/Steel	
CFE110DFWS/BN	Winter Sky	Polished Brass S/Steel	
CFE110DFWS/C	Winter Sky	Polished Chrome S/Steel	

The Étoilé range are special order only. Please contact us for availability and lead time.

LA CORNUE

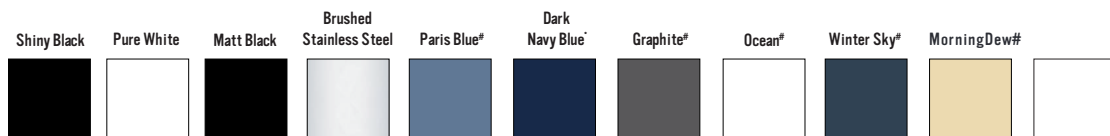
Albertine Range Cookers

90 cm Available in Dual Fuel



With a large array of colours and trims available, there are many options for you to create a unique cooker to suit your desires and your style.

Price on request



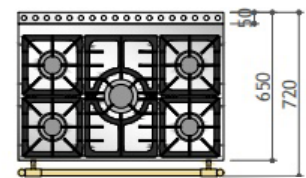
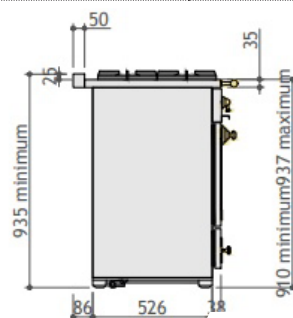
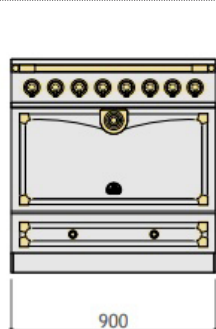
*Run out #Special order

Albertine Range Cooker Specifications

FEATURES	ALBERTINE 90 DUAL FUEL
MODEL NUMBER	"ALB90DF + COLOUR"
WIDTH (MM)	900
DEPTH EX INC HANDLES (MM)	650 720
HEIGHT - UP TO HOTPLATE (MM)	910 937
HEIGHT - TO TOP OF PAN SUPPORTS (MM)	952 977
HOB RATINGS - MJ GAS (NATURAL LPG)	1 X 20.2MJ 18.4MJ 3 X 13.3MJ 12.6MJ 1 X 6.5MJ 6.3MJ
SUPPLY PRESSURE - NATURAL LPG	1.13KPA 2.75KPA
OPERATING PRESSURE - NATURAL LPG	1.00KPA 2.54KPA
LPG CONVERSION KIT INCLUDED	YES
MAX. TOTAL CONNECTED LOAD (KW) @230V	3.45
ELECTRICAL CONNECTION (AMPS)	15
OVEN CAPACITY LITRES LH RH >> LITRES BASED ON EUROPEAN STANDARDS MEASUREMENTS	FULL OVEN - 114 WITH ESD 49
OVEN TEMPERATURE	80°C – 240°C
ENERGY SAVING PANEL/DIVIDER	YES
TRIM MATERIAL	SOLID BRASS OR NICKLE
TELESCOPIC RUNNER	INCLUDED
OVEN FUEL LH RH	ELECTRIC
OVEN TYPE LH RH	MULTI FUNCTION
INTERNAL OVEN CAVITY W X D X H (MM) - LEFT	750 X 410 X 380 - FULL OVEN
MAXIMUM TRAY SIZE W X D (MM) - LEFT (AIR MUST BE ABLE TO CIRCULATE)	672 X 352
INTERNAL OVEN CAVITY W X D X H (MM) - RIGHT	360 X 410 X 380 - WITH ESD
MAXIMUM TRAY SIZE W X D (MM) - RIGHT (AIR MUST BE ABLE TO CIRCULATE)	330 X 325 - WITH ESD
GRILL FUEL	ELECTRIC
GRIDDLE	OPTIONAL EXTRA SIT ON
WOK CRADLE	OPTIONAL EXTRA SIT ON
CAST IRON PAN SUPPORTS	YES
FLAME FAILURE SAFETY DEVICE	YES
ELECTRONIC IGNITION	UNDER KNOB
DOOR OPENING LH RH	DROP DOWN
DOOR TYPE LH RH	SOLID
OVEN LIGHT (HALOGEN)	X2
STORAGE DRAWER (INTERNAL)	795MM W X 410MM D X 100MM H
FULL CAPACITY TELESCOPIC SHELF WITH RUNNERS (PAIR)	X1
FULL CAPACITY SHELF WITH GRILL TRAY AND CRADLE	X1
PASTRY TRAY	X1
ENERGY SAVING SHELVES	X3
OVEN DIVIDER	INCLUDED
NO. OF SHELF LEVELS	5
DOOR GLAZING	INSIDE
OVEN FUNCTIONS	
BASE HEAT	YES
BROWNING ELEMENT	YES
CONVENTIONAL OVEN	YES
DEFROST	YES
FAN ASSISTED	YES
FANNED GRILLING	YES
FAN OVEN	YES
WEIGHT & WARRANTY	
WEIGHT (KG)	110
5 YEAR WARRANTY	YES
MADE IN	UK

CHOOSE A TRIM BELOW

CHOOSE A COLOUR	BRUSHED NICKEL & STAINLESS	POLISHED BRASS & STAINLESS	POLISHED CHROME &
	STEEL (SS HANDRAIL)	STEEL (PB HANDRAIL)	STAINLESS STEEL (SS HANDRAIL)
SHINY BLACK	YES	YES	SPECIAL ORDER
PURE WHITE	YES	YES	SPECIAL ORDER
MATT BLACK	YES	YES	SPECIAL ORDER
BRUSHED STAINLESS STEEL	YES	YES	SPECIAL ORDER
PARIS BLUE	SPECIAL ORDER	SPECIAL ORDER	SPECIAL ORDER
DARK NAVY BLUE (RUN OUT)	YES	YES	N/A
GRAPHITE	SPECIAL ORDER	SPECIAL ORDER	SPECIAL ORDER
OCEAN	SPECIAL ORDER	SPECIAL ORDER	SPECIAL ORDER
WINTER SKY	SPECIAL ORDER	SPECIAL ORDER	SPECIAL ORDER
MORNING DEW	SPECIAL ORDER	SPECIAL ORDER	SPECIAL ORDER
BESPOKE	ALL BESPOKE COLOURS AND TRIMS ARE SPECIAL ORDER		



2 gas burners (2 x 13.3mj)
1 single gas burner (20.2mj)
2 gas burners (back burner 13.3mj,
front burner 6.5mj)

PRICELIST - STANDARD



PRODUCT CODE	COLOUR	TRIM	Retail Price (inc GST)
Albertine 90 Cooker			
ALB90DFSS/N	Brushed S/Steel	Brushed Nickel S/Steel	\$20,975
ALB90DFSS/BN	Brushed S/Steel	Polished Brass S/Steel	
ALB90DFSS/C	Brushed S/Steel	Polished Chrome S/Steel [^]	
ALB90DFNB/N	Dark Navy Blue	Brushed Nickel S/Steel	
ALB90DFNB/BN	Dark Navy Blue	Polished Brass S/Steel	
ALB90DFMB/N	Matt Black	Brushed Nickel S/Steel	
ALB90DFMB/BN	Matt Black	Polished Brass S/Steel	
ALB90DFMB/C	Matt Black	Polished Chrome S/Steel [^]	
ALB90DFPB/N	Paris Blue [^]	Brushed Nickel S/Steel	
ALB90DFPB/BN	Paris Blue [^]	Polished Brass S/Steel	
ALB90DFPB/C	Paris Blue [^]	Polished Chrome S/Steel [^]	
ALB90DFWH/N	Pure White	Brushed Nickel S/Steel	
ALB90DFWH/BN	Pure White	Polished Brass S/Steel	
ALB90DFWH/C	Pure White	Polished Chrome S/Steel [^]	
ALB90DFBL/N	Shiny Black	Brushed Nickel S/Steel	
ALB90DFBL/BN	Shiny Black	Polished Brass S/Steel	
ALB90DFBL/C	Shiny Black	Polished Chrome S/Steel [^]	

[^]Special order only. Please contact us for availability and lead time.

Run Out (run out models denoted in red). Check availability prior to placing an order to avoid disappointment.

PRICELIST - ÉTOILÉ RANGE



PRODUCT CODE	COLOUR	TRIM	Retail Price (inc GST)
Albertine 90 Cooker			
ALB90DFGR/N	Graphite	Brushed Nickel S/Steel	\$21,775
ALB90DFGR/BN	Graphite	Polished Brass S/Steel	
ALB90DFGR/C	Graphite	Polished Chrome S/Steel	
ALB90DFMD/N	Morning Dew	Brushed Nickel S/Steel	
ALB90DFMD/BN	Morning Dew	Polished Brass S/Steel	
ALB90DFMD/C	Morning Dew	Polished Chrome S/Steel	
ALB90DFOC/N	Ocean	Brushed Nickel S/Steel	
ALB90DFOC/BN	Ocean	Polished Brass S/Steel	
ALB90DFOC/C	Ocean	Polished Chrome S/Steel	
ALB90DFWS/N	Winter Sky	Brushed Nickel S/Steel	
ALB90DFWS/BN	Winter Sky	Polished Brass S/Steel	
ALB90DFWS/C	Winter Sky	Polished Chrome S/Steel	

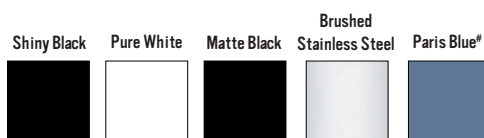
The Étoilé range are special order only. Please contact us for availability and lead time.

LA CORNUE

Albertine and CornuFé Rangehoods



Powerful and quiet, Albertine and CornuFé rangehoods are the perfect accompaniment to your range cooker, providing a luxurious kitchen design statement.

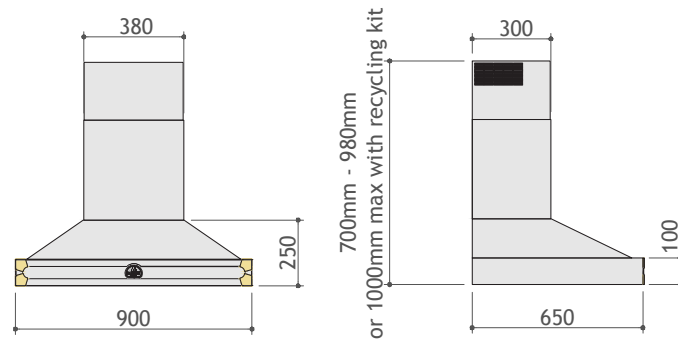


Albertine and CornuFé Rangehood Specifications

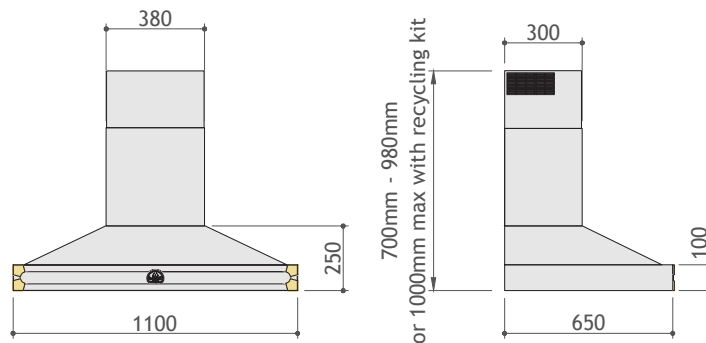
FEATURES	Albertine 90	CornuFé 110
MODEL NUMBER	HS9 + COLOUR	HS1 + COLOUR
TYPE	CANOPY	CANOPY
MIN. HEIGHT ABOVE COOKER* (MM)	650	650
WIDTH (MM)	900	1100
HEIGHT INCL. FASCIA EXCL. FLUE (MM)	250	250
FLUE HEIGHT WHEN RECIRCULATED#	700/1000	700/1000
FLUE HEIGHT WITH EXHAUST TUBE	700/980	700/980
NUMBER OF SPEEDS	4	4
EXTRACTION (DUCTED) 1/2/3/4 (M ³ /HR)	330 / 490 / 730 / 1000	330 / 490 / 730 / 1000
CONTROL TYPE	ON BOARD & REMOTE	ON BOARD & REMOTE
NUMBER OF BAFFLE FILTERS	2	2
CHARCOAL FILTERS (RECIRCULATED MODE)	SPECIAL ORDER	SPECIAL ORDER
DUCTED AND RECIRCULATION OPTION	.	.
AIR OUTLET DUCTS (MM)	150	150
LED LIGHTING	3	3
MADE IN	ITALY	ITALY
	CHOOSE A TRIM BELOW	
CHOOSE A COLOUR	BRUSHED NICKEL & STAINLESS STEEL (SS HANDRAIL)	POLISHED BRASS & STAINLESS STEEL (PB HANDRAIL)
SHINY BLACK	YES	YES
PURE WHITE	YES	YES
MATT BLACK	YES	YES
BRUSHED STAINLESS STEEL	YES	YES
PARIS BLUE* (RUN OUT)	WHILST STOCKS LAST	WHILST STOCKS LAST

*POA for RECIRCULATED KIT

Albertine 90

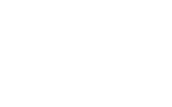


CornuFé 110



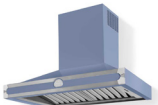
PRICELIST - STANDARD

PRODUCT CODE	COLOUR	TRIM	Retail Price (inc GST)
CornuFé 110 Rangehood			
HS1IN21ET0	Brushed S/Steel	Brushed Nickel corners S/Steel frame	\$7,695
HS1IF21ET0	Brushed S/Steel	Polished Brass corners S/Steel frame	
HS1DN21ET0	Dark Navy Blue	Brushed Nickel corners S/Steel frame	
HS1DF21ET0	Dark Navy Blue	Polished Brass corners S/Steel frame	
HS1NN21ET0	Matt Black	Brushed Nickel corners S/Steel frame	
HS1NF21ET0	Matt Black	Polished Brass corners S/Steel frame	
HS1PN21ET0	Paris Blue	Brushed Nickel corners S/Steel frame	
HS1PF21ET0	Paris Blue	Polished Brass corners S/Steel frame	
HS1WN21ET0	Pure White	Brushed Nickel corners S/Steel frame	
HS1WF21ET0	Pure White	Polished Brass corners S/Steel frame	
HS1MN21ET0	Shiny Black	Brushed Nickel corners S/Steel frame	
HS1MF21ET0	Shiny Black	Polished Brass corners S/Steel frame	



Run Out (run out models denoted in red). Check availability prior to placing an order to avoid disappointment.

PRICELIST - STANDARD



PRODUCT CODE	COLOUR	TRIM	Retail Price (inc GST)
Alberline 90 Rangehood			
HS9IN21ET0	Brushed S/Steel	Brushed Nickel corners S/Steel frame	\$7,395
HS9IF21ET0	Brushed S/Steel	Polished Brass corners S/Steel frame	
HS9DN21ET0	Dark Navy Blue	Brushed Nickel corners S/Steel frame	
HS9DF21ET0	Dark Navy Blue	Polished Brass corners S/Steel frame	
HS9NN21ET0	Matt Black	Brushed Nickel corners S/Steel frame	
HS9NF21ET0	Matt Black	Polished Brass corners S/Steel frame	
HS9PN21ET0	Paris Blue	Brushed Nickel corners S/Steel frame	
HS9PF21ET0	Paris Blue	Polished Brass corners S/Steel frame	
HS9WN21ET0	Pure White	Brushed Nickel corners S/Steel frame	
HS9WF21ET0	Pure White	Polished Brass corners S/Steel frame	
HS9MN21ET0	Shiny Black	Brushed Nickel corners S/Steel frame	
HS9MF21ET0	Shiny Black	Polished Brass corners S/Steel frame	

Run Out (run out models denoted in red). Check availability prior to placing an order to avoid disappointment.



Delivery Information

Direct home deliveries are available for those residing within eligible postcodes in metropolitan areas - please visit www.andico.com.au for a list of eligible postcodes. Direct home deliveries within metropolitan areas are free of charge for La Cornue CornuFé and Albertine range cookers and rangehoods. Our free delivery service includes delivery into a ground floor (maximum three steps) location into a room of your choice. Product will be delivered packed ready for your installer to unpack and install. The delivery will be made using appropriate material handling equipment which requires solid surfaces that can bear the load, and clear access for the width and height of the appliance, as well as room to navigate corners etc. Anything additional to this may incur additional charges. Accessories will only be direct delivered if purchased and delivered in conjunction with a La Cornue CornuFé and Albertine range cooker and / or rangehood. Alternatively, goods will be delivered free of charge to the place of purchase (retailer). Please note for all deliveries that are not eligible for home delivery (postcodes that are not listed) the La Cornue appliances will be delivered direct to the place of purchase.

