

No. 2 AYBURN COOKER

NEW PATTERN

Right Hand Oven Model

with or without Boiler

Fire Brick Replacement Instructions

This leaflet is applicable to models with interlocking ashpit door and fire door.

Lift off the Hotplate, no unscrewing being necessary. Remove the bricks in the following order, 49-9, 54-8, 52-7a, 53-6a, 50-5a, 48-4a, 51-2a, 47-3a.

To assemble replacements into Cooker the order is reversed.

MAKE GOOD JOINTS BETWEEN FIRE BRICKS AND BETWEEN FIRE BRICKS AND BOILER WITH FIRE CEMENT.

When replacing the Hotplate, see that the Asbestos Sealing Rope is in its original position.

Instructions for replacement of bottom Fire Bricks only

Break off all cement joints holding bottom fire bricks 48-4a, 51-2a and 47-3a in position. These bricks can then be removed in this order, leaving top side bricks resting on cast iron flanges which are cast integral with the Sham Cheek and Oven Cheek. This can be done by removing the Hotplate as described above or through the Fire Door opening.

Assemble replacements in the following order, viz., 47-3a, 51-2a, 48-4a.

Replacement of 47-3a or 51-2a only can be effected without disturbing any other bricks.

If replacement of 47-3a only is required then both side bricks 51-2a and 48-4a must be removed.

Replace side bricks and see that all joints between the bricks and between the bricks and the boiler are made good with fire cement.

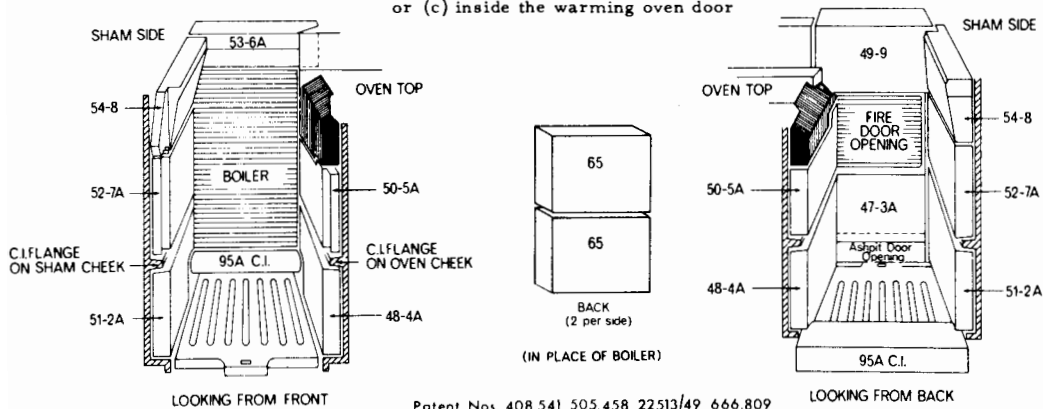
NON - BOILER MODEL

Replacement of two No. 65 back bricks only. Take off the access plate at back of hob, remove slag wool and lift out cast iron back plate with side pieces holding two No. 65 bricks in position. These can now be removed. Replacement is effected in opposite order.

IMPORTANT

The Manufacturing Number of the cooker should be quoted when ordering replacement fire bricks. This number will be found on a brass plate

- (a) inside the roasting oven
- or (b) on the front edge of the base plate
- or (c) inside the warming oven door



GLYNWED FOUNDRIES LIMITED, Agaheat Appliances Division
 Ketley, TELFORD, Shropshire, TF1 4AD.
 Telephone: Wellington 3973

M&C/373/5M/3189

No. 2 RAYL IRN COOKER

NEW PATTERN

Left Hand Oven Model with or without Boiler

Fire Brick Replacement Instructions

This leaflet is applicable to models with interlocking ashpit door and fire door.

Lift off the Hotplate, no unscrewing being necessary. Remove the bricks in the following order, 249-9, 254-8, 252-7a, 253-6a, 250-5a, 248-4a, 251-2a, 47-3a.

To assemble replacements into Cooker the order is reversed.

MAKE GOOD JOINTS BETWEEN FIRE BRICKS AND BETWEEN FIRE BRICKS AND BOILER WITH FIRE CEMENT.

When replacing the Hotplate, see that the Asbestos Sealing Rope is in its original position.

Instructions for replacement of bottom Fire Bricks only

Break off all cement joints holding bottom fire bricks 248-4a, 251-2a, and 47-3a in position. These bricks can then be removed in this order, leaving top side bricks resting on cast iron flanges which are cast integral with the Sham Cheek and Oven Cheek. This can be done by removing the Hotplate as described above or through the Fire Door opening.

Assemble replacements in the following order, viz., 47-3a, 251-2a, 248-4a.

Replacement of Brick 248-4a or 251-2a only can be effected without disturbing any other bricks.

If replacement of 47-3a only is required then both side bricks 251-2a and 248-4a must be removed.

Replace side bricks and see that all joints between the bricks and between the bricks and the boiler are made good with fire cement.

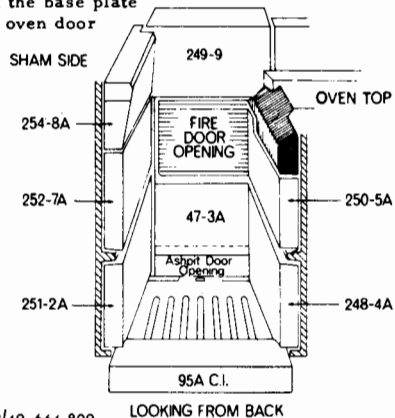
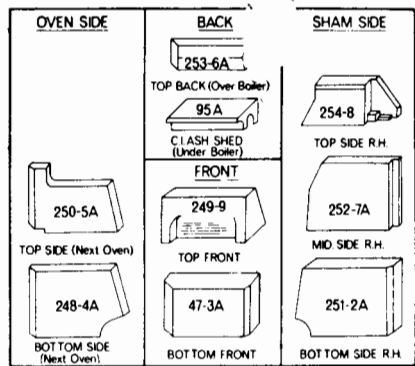
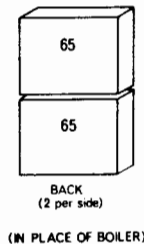
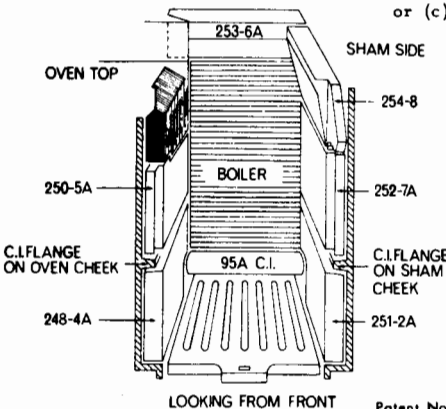
NON - BOILER MODEL

Replacement of two No. 65 back bricks only. Take off the access plate at back of hob, remove slag wool and lift out cast iron back plate with side pieces holding two No. 65 bricks in position. These can now be removed. Replacement is effected in opposite order.

IMPORTANT

The Manufacturing Number of the cooker should be quoted when ordering replacement fire bricks. This number will be found on a brass plate

- (a) inside the roasting oven
- or (b) on the front edge of the base plate
- or (c) inside the warming oven door



Patent Nos. 408,541 505,458 22513/49 666,809

GLYNWED FOUNDRIES LIMITED

GLYNWED

No. 2 RAYBURN Cooker

Regd. Trade Mark
OLD PATTERN

Patent No. 666809

Directions for Replacement of Fire Bricks

Right Hand Oven Model

This leaflet is applicable to models with independent ashpit door and fire door, and boiler 15" high.

Lift off the Hotplate, no unscrewing being necessary. Remove the bricks in the following order, 49-9, 54-8, 52-7, 53-6a, 50-5, 48-4, 47-3, 51-2.

To assemble replacements into Cooker the order is reversed, starting with 51-2 until 49-9 is in position.

Make good all joints with Fire Cement between bricks and between bricks and boiler.

When replacing the Hotplate, see that the Asbestos Sealing Rope is in its original position.

When supplied without Boiler.

Lift off the Hotplate, no unscrewing being necessary. Remove the bricks in the following order, 49-9, 54-8, 52-7, 53-6a, 50-5, 48-4, 47-3 and 51-2.

Take off the access plate at back of hob, remove slag wool and lift out cast iron back plate with side pieces holding the two No. 65 Bricks in position. These can now be removed.

To assemble replacements into Cooker, the order is reversed, starting with the two No. 65 Bricks, next the cast iron back plate, then Brick 51-2 until 49-9 is in position.

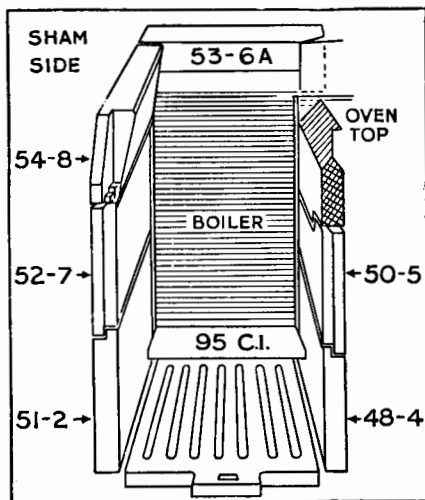
Make good all joints with Fire Cement.

When replacing the Hotplate, see that the Asbestos Sealing Rope is in its original position.

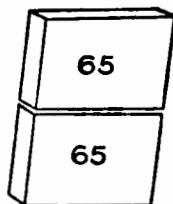
NOTE.—The original No. 2 model Cooker had a right-hand oven only and was fitted with 12" high boiler. With this model the old pattern No. 6 top Back Brick (over boiler) is to be specified. This is similar to brick No. 53-6a shown below, but made 3" deeper.

IMPORTANT

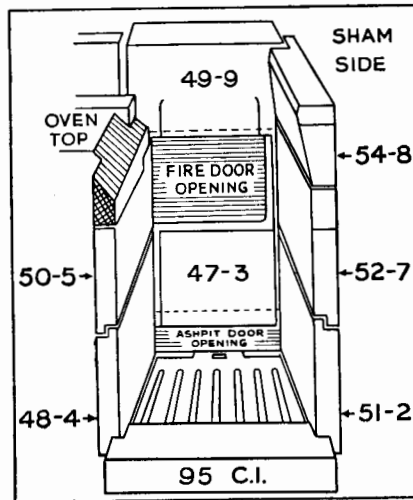
The Manufacturing Number of the cooker should be quoted when ordering replacement fire bricks. This number will be found on a brass plate: (a) inside the roasting oven; or (b) on the front edge of the base plate; or (c) inside the warming oven door.



LOOKING FROM FRONT



BACK
(IN PLACE OF BOILER)



LOOKING FROM BACK

No. 2 RAYBURN Cooker

Regd. Trade Mark

Patent No. 666809

OLD PATTERN

Directions for Replacement of Fire Bricks

Left Hand Oven Model

This leaflet is applicable to models with independent ashpit door and fire door, and boiler 15" high.

Lift off the Hotplate, no unscrewing being necessary. Remove the bricks in the following order, 249-9, 254-8, 252-7, 253-6a, 250-5, 248-4, 47-3, 251-2.

To assemble replacements into Cooker the order is reversed, starting with 251-2 until 249-9 is in position.

Make good all joints with Fire Cement between bricks and between bricks and boiler.

When replacing the Hotplate, see that the Asbestos Sealing Rope is in its original position.

When supplied without boiler

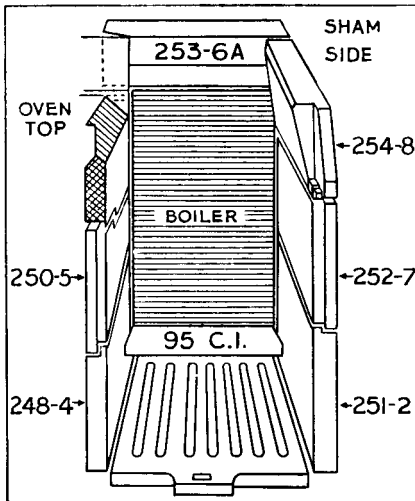
Lift off the Hotplate, no unscrewing being necessary. Remove the bricks in the following order, 249-9, 254-8, 252-7, 253-6a, 250-5, 248-4, 47-3 and 251-2.

Take off the access plate at back of hob, remove slag wool and lift out cast iron back plate with side pieces holding the two No. 65 Bricks in position. These can now be removed.

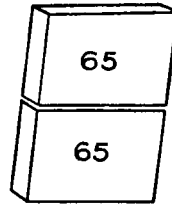
To assemble replacements into Cooker, the order is reversed, starting with the two No. 65 Bricks, next the cast iron back plate, then Brick 251-2 until 249-9 is in position.

Make good all joints with Fire Cement.

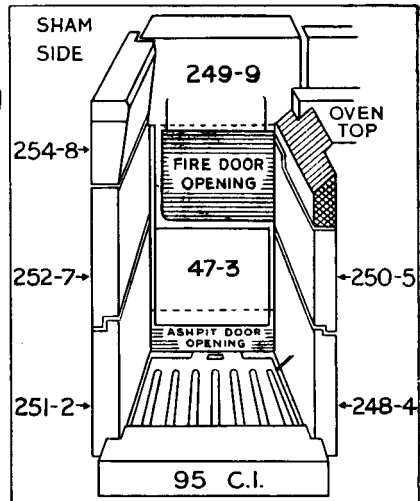
When replacing the Hotplate, see that the Asbestos Sealing Rope is in its original position.



LOOKING FROM FRONT



BACK
(IN PLACE OF BOILER)



LOOKING FROM BACK



GLYNWED FOUNDRIES LIMITED, Agaheat Appliances Division
Ketley, TELFORD, Shropshire, TF1 4AD.
Telephone: Wellington 3973

GLYNWED