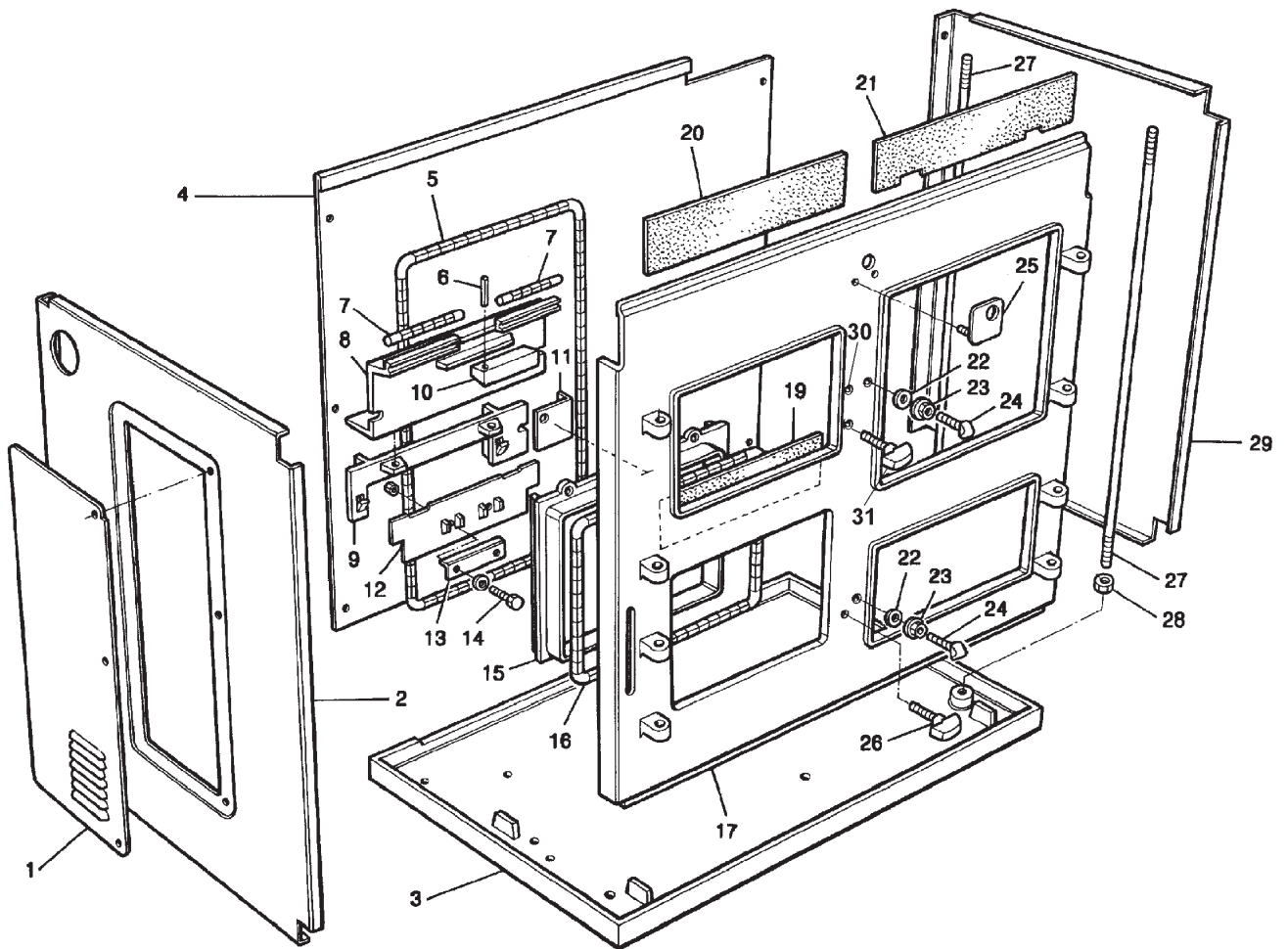


**RAYBURN  
355SFW/345W  
COOKER**

***SPARE PARTS  
MANUAL***

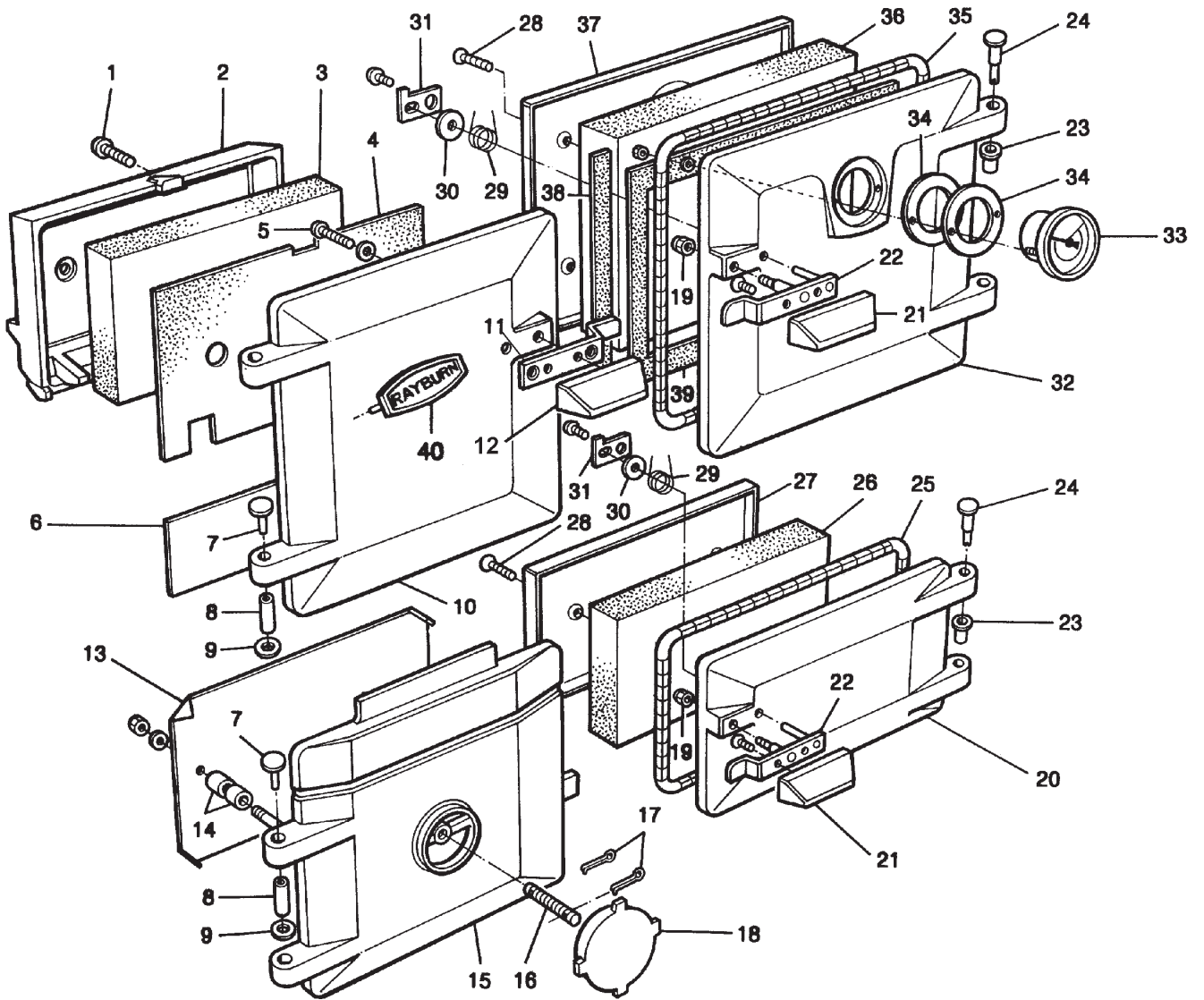
## FRONT PLATE, SIDE PLATES, BACK PLATE, BASE PLATE

ITEM No.	CAT No.	DESCRIPTION	PRODUCT CODE
1	R2134	FILLER PLATE FOR LH SIDE PANEL	RS9V91320
2	R2133	LH SIDE PLATE	RS9V91315
3	R2479	BASE PLATE	RG5M313072
4	R1634	BACK PLATE	KCTR37851
5		ROPE 7 DIA	
6		ROLL PIN 3/16"	KSTD500452
7		ROPE 7 DIA x 120mm LG	
8	R1810	SECONDARY AIR SEALING PLATE	RS5M1-16190
9	R1708	SECONDARY AIR SEALING PLATE FOOT	RS4M22095
10	R1893	SECONDARY AIR SHUT OFF SLIDE	RS5M4-13705
11		BOILER BODY FIXING BRACKET	RS2M300008
12		CLINKER DOOR	RS4M22096
12A	R2049	CLINKER DOOR C/W HANDLE (INCLS ITEMS 12, 13 & 14)	RS9M22096COMP
13		CATCH - CLINKER DOOR	RS2M91275
14		SCREWS	KHEX51065
15	R1811	ASHPIT DOOR FRAME	RS5M1-16191
16		ROPE 7 DIA	
17		FRONT PLATE - FROM M05-144	RS5E301158
17A		FRONT PLATE 355M - UP TO M05-144	RS5E301090
17B	R1923	FRONT PLATE - COMPLETE	RS1M-SMF-FP
19		HEAT SHIELD MIDDLE	JPAD301228
20	R2867	TOP SHIELD BLR SIDE	JPAD41777
21	R1021	TOP HEAT SHIELD OVEN SIDE	JPAD30770
22		SEE ITEM 24	
23	R2754	M8 FLANGE NUT	KNUT500260
24	R2679	DOOR KEEP C/W WASHER	RO9M340185COMP
25	R1746	DAMPER POSITIONING PLATE	RS4M38978
26	R5029	ASHPIT DOOR CATCH - M8	RS4M300116
27	R1760	CORNER STAY RODS	RS4M44080
27A	R2088	SET OF 4 CORNER STAY RODS & NUTS	RS9M44080SET4
28	R2309	LOCKNUT 3/8" BSW	KNUT52911
29	R1635	RH SIDE PANEL	RS2V91310
30	R2679	DOOR KEEP C/W WASHER - UP TO M05-144	RO9M340185COMP
31	R5029	ASHPIT DOOR CATCH - FROM M05-144	RS4M300116



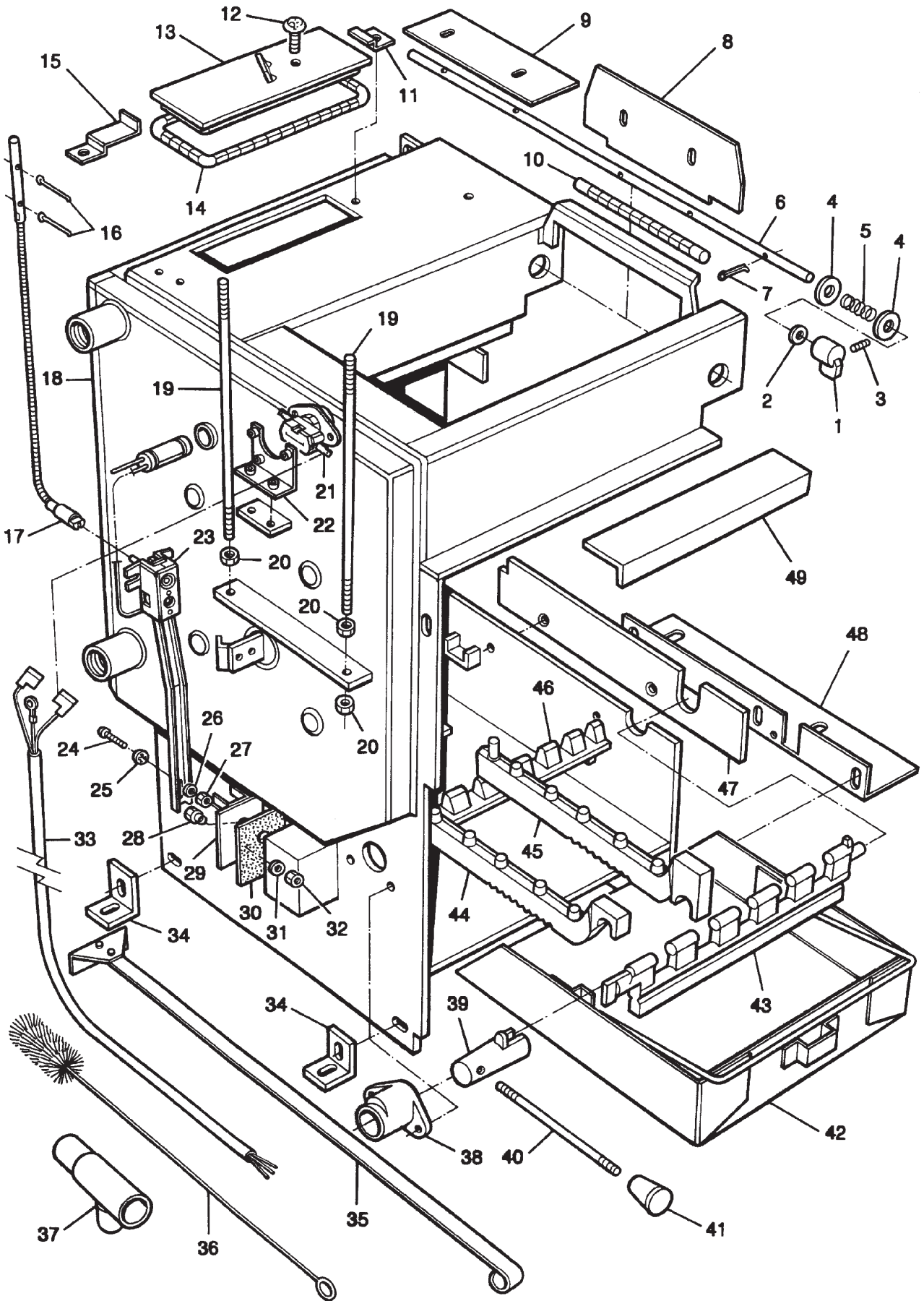
**RAYBURN 355SFW/345W**  
**FRONT PLATE, SIDE PLATES, BACK PLATE, BASE PLATE**

ITEM No.	CAT No.	DESCRIPTION	PRODUCT CODE
1	NCA	SCREW 5/16" BSW x 1 1/2" RND HEAD	KRDH51780
2	R2072	FIRE DOOR PROT PLATE COMPLETE	RS9M4-16202COMP
3	NCA	ROCKWALL	MRWF35404
4	R1031	FIREDOOR HEAT SHIELD (INCL IN ITEM 2)	JPAD41776
5	NCA	SCREW M5 x 25 LG HEX HD	KHEX50934
6	R2248	HEAT SHIELD MIDDLE	JPAD301228
7	R4720	DOOR HINGE BUTTON - UP TO M06-051	RS4M301095
8	R6482	DOOR HINGE PIN - UP TO M06-051	RS4M301104
8A	R2633	DOOR HINGE PIN - FROM M06-051	RO4M340227
9	A1950	WASHER NYLON 8 x 16 x 1	KWSR53500
10	R3587	FIRE DOOR COMPLETE - UP TO M05-144	RS9M301094COMP
10A	R5394	FIRE DOOR COMPLETE - FROM M05-144	RS9M997447
11	R6481	CATCH PLATE - UP TO M05-144	RS4M301096
12	R2061	DOOR HANDLE C/W SCREWS	RS9M31530COMP
13	R1616	ASHPIT DOOR BAFFLE PLATE	RS2M91280
14	A2331	BAFFLE DISTANCE PIECE	AS4M28060
15	R1931	ASHPIT DOOR COMPLETE	RS9E1-16174
	R3125	ASHPIT DOOR ASSY	RS9M301093COMP
16		SEE ITEM 18	
17		SEE ITEM 18	
18	R2084	SPIN VALVE C/W FIXINGS	RS9M43460COMP
19	R3417	M8 SELF LOCKING NUT	KNUT500327
20	R2591	SIMMERING OVEN DOOR COMPLETE	RO9M340325COMP
21	R2636	DOOR HANDLE/CATCH ASSY	RO9M340181COMP
23	R2759	BUSH - DOOR HINGE	RO4M340226
24	R2633	HINGE PIN	RO4M340227
25	R2641	SEAL BOTTOM OVEN DOOR	JMAR340256
26	R2975	PAD INSULATION - BOTTOM OVEN DOOR	JPAD340466
27	R2974	BOTTOM OVEN DOOR LINING PANEL	RG2M313313
28	R5621	M6 x 25 LG C/SK HEAD SCREW	KCSK500302
29	R2757	SPRING DOOR CATCH (INCL IN ITEM 21)	RO4M340297
30	C1392	WASHER M8 x 12mm (INCL IN ITEM 21)	KWSR53400
31	R2752	BRACKET DOOR STOP CATCH (INCL IN ITEM 21)	RO2M340349
32	R3593	TOP OVEN DOOR - COMPLETE	RO9M340138-355S
33	R2432	THERMODIAL	RS4T301075
	R5684	THERMODIAL & GASKET KIT S.F.	RS9M997742
34	R1147	THERMODIAL GASKET	RG4M30412
35	R2642	SEAL TOP OVEN	JMAR340255
36	R2986	INSULATION PAD	JPAD340465
37	R2985	TOP OVEN DOOR LINING PANEL	RG2M313325
38	R2642	TAPE - DOOR	JMAR340255
39	NCA	GASKET - TOP OVEN DOOR	JGSG341290
40	R5290	BADGE - FROM NP05-029	RO4M343291



**RAYBURN 355SF/345W - TOP/BOTTOM OVEN DOORS,  
FIREDOR & ASHPIT DOOR ASSYS**

ITEM No.	CAT No.	DESCRIPTION	PRODUCT CODE
1	R1732	DAMPER HANDLE - UP TO M08-101	RS4M34054
1A		DAMPER HANDLE - FROM M08-101	RS4M301364
2		WASHER 11.5 x 16 x 1 - NYLON	KWSR53501
3	R4772	GRUB SCREW 3/16 x 3/8" - UP TO M08-101	KGRB50580
3A	R4791	GRUB SCREW M5 x 10mm - FROM M08-101	KGRB50509
4		DAMPER SPRING WASHER	KWSR53516
5	H1224	SPRING	HS4M43744
6		DAMPER ROD	RS4M41154
6A	R2080	DAMPER ROD C/W HANDLE (INCLUDES ITEMS 1, 2, 3, 4, 5, 6, 7, 8 & 9)	RS9M41154COMP
7		SPLIT PIN 2mm x 20mm LG	KCTR49646
8	R2602	COOKER DAMPER BLADE	RS2M91325
9	R2681	BOILER DAMPER BLADE	RS2M91330
10		ROPE SEAL	
11	R1094	BLR CLEANING DOOR LOCATING BRACKET	RG2M91244
12		SCREW M10 x 16	KPAN500295
13	R3031	BLR CLEANING COVER	RO2V340412
14		ROPE SEAL	
15	R2414	BLR CLEANING DOOR FIXING BRACKET	RO2M93060
16		SPLIT PIN 2mm x 20	KCTR49646
17	R1719	THERMOSTAT DRIVE SHAFT	RS4M28388
18	R2434	BOILER BODY	RS2V301064
19	R1749	CORNER STAY RODS - SHORT	RS4M41109
20	R2309	LOCKNUT 3/8" BSW	KNUT52911
21	R2461	LOW LIMIT STAT	RS4T301083
22	R2187	CLAMP ON T/STAT MOUNTING BRACKET	RS2M93068
23	R2132	T/STAT C/W BOLTS & NUTS	RS9T46670COMP
24	R2438	SCREW 2BA x 35mm	KCSH52626
25		WASHER	
26		WASHER	
27	R2439	LOCKNUT 2BA	KNUT53178
28		2BA HANKBUSH	KMIS24318
29	R2125	AIR INLET FLAP C/W PAD	RS9M91287COMP
30		SEAL PAD (INCLUDED IN ITEM 29)	JAPD27949
31		WASHER	
32		LOCKNUT 2BA	KNUT53178
33	R4609	ELECTRICAL LEAD ASSY	RS4M301128
34	R2690	BASE PLATE BRACKET	RG2M311231
35		RAKE - NO LONGER AVAILABLE	AS1M200004
36	H1159	FLUE BRUSH	HS4M23323
37	R1213	INJECTOR TEE	RG4M45480
38	R1895	RIDDLING BUSH	RS5M4-16201
39	R1896	RIDDLING CONNECTOR	RS5M4-16203
40	R2081	RIDDLING ROD & KNOB COMP	RS4M41156COMP
41	H1192	RIDDLING ROD KNOB (INCLUDED IN ITEM 40)	HS4M34012
42	R2489	ASHPAN	RS1M301088
43	R1857	ROCKER BAR	RS5M3-16177
44	R1706	FIREBAR TOP	RS4M22093
44A	R2046	SET OF 11 B/GRATE BARS (COMPRISES 6-OFF ITEM 44 & 5-OFF ITEM 45)	RS9M22093-4ST11
45	R1707	BOTTOMGRATE BAR BOTTOM	RS4M22094
46	R1709	BOTTOMGRATE REAR SPACER	RS4M22098
47	R1859	FIREBRICK RETAINING BRACKET	RS5M3-16288
48	R2688	CENTRE ANGLE	RG2M90371
49	R1860	BOTTOM GRATE BAFFLE - (WOODBURNER ONLY 3- OFF) (345W MODEL 3-OFF)	RS5M3-18172



**RAYBURN 355SF/345W - BOILER, DAMPERS, THERMOSTATS, GRATE & RIDDLING ASSEMBLY**

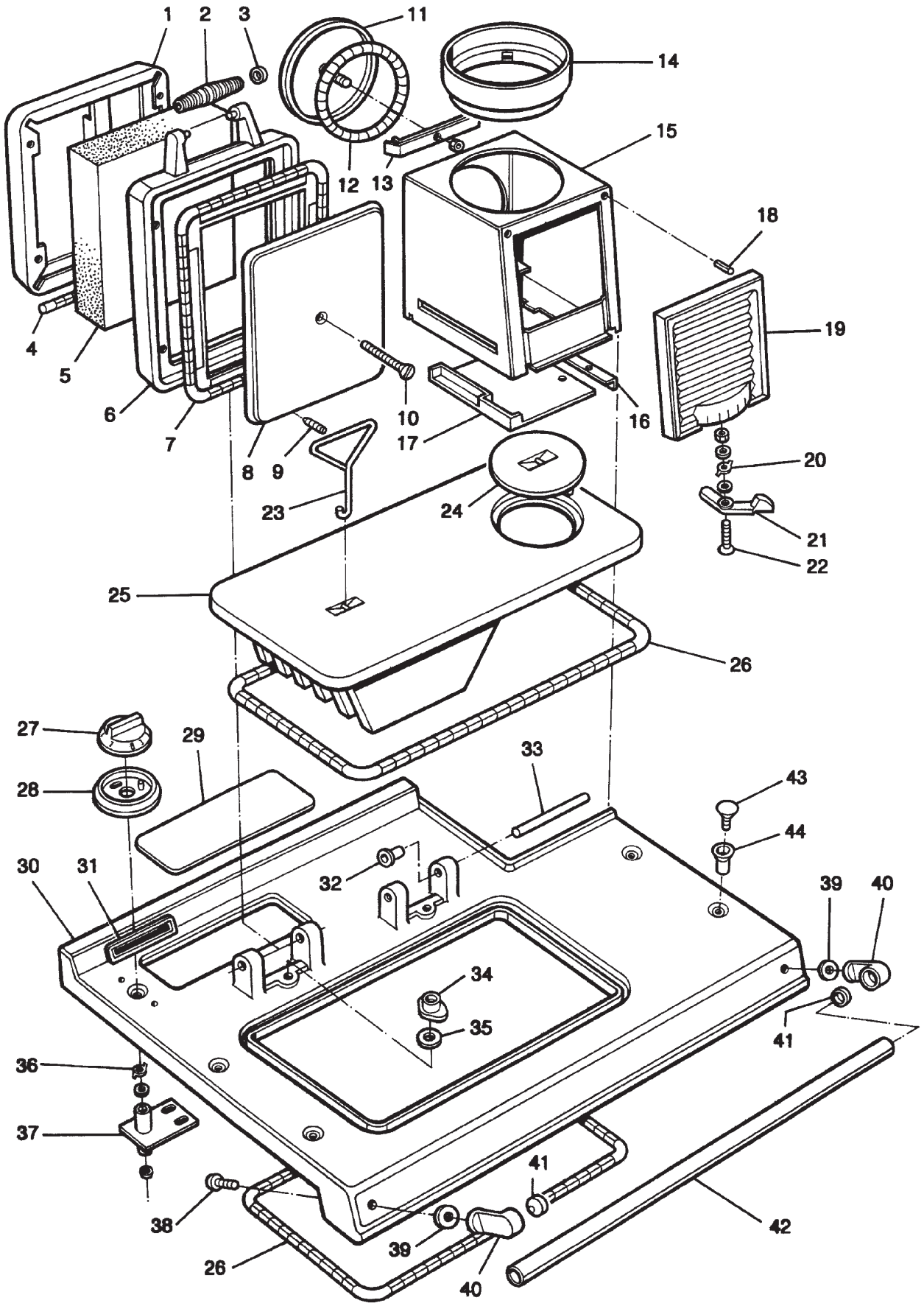


RAYBURN 355SFW/345W - UP TO M04-042  
HOB PLATE, INSULATING COVERS & FLUE CHAMBER

MAY 2007

ITEM No.	CAT No.	DESCRIPTION	PRODUCT CODE
1	R2766	INSULATING COVER TOP	RO4M340276
2	R3028	COIL HANDLE	RO4M340522
3	R4863	CUP - HANDLE	RO4M340521SET4
5	R2767	PAN - COVER INSULATION	JPAD340307
6	R3555	INSULATING COVER BASE	RO5E340274
7	R3457	SEAL INSULATING LID	JMAR340790
8	R1614	LINING PANEL	RO2E340773
9		M6 x 6mm S/CP GRUB ANU-LOK	KGRB500437
10		SCREW 1/4" x 1 13/16" RSD CSK C/P	KRCK50372
11	R1641	BLANKING PLATE	RS4E38977
12		ROPE 7 DIA x 500mm LONG	
13	R2123	BLANKING PLATE STRAP	RS4M38773
14	R1642	FLUE CHAMBER SOCKET	RS4E42644
15	R1613	FLUE CHAMBER ASSY	RS2E91165
16	R2297	DAMPER SEALING ANGLE	RS2M91051
17	R1789	FLUE CHAMBER C.I. DAMPER BLADE	RS5E3-17836
18	H1723	PIN BISSEL 3/16" X 1" LG	KCTR37850
19	R1785	FLUE CHAMBER DOOR	RS5E3-13344
20	R4751	M5 SPRING WASHER	KWSR53638
21	R1743	FLUE CHAMBER CAM	RS4M36072
22		M5 x 30 C/SNK C/P	KCSK50171
23	R1764	HOTPLATE LIFTING TOOL	RS4M47450
24	R1843	HOTPLATE CUP PLUG	RS5M27-SP
25	R1593	HOTPLATE C/W CUP	RS1M0-16187-27
26	R1038	No. 4 T/SEAL ROPE FOR HOTPLATE	JTHR20389X1.6M
27	R2476	T/STAT CONTROL KNOB C/W D CLIP	RS9M34056COMP
28	R2050	STAT BEZEL C/W FIXING SCREW	RS9M22324COMP
29	R1786	HOB PLATE FILLER PLATE	RS5E3-15918
30		HOB PLATE	RS5E0-18032
31		NAME PLATE	RS4M301100
32	R2759	HINGE BUSH	RO4M340226
33	R3908	HINGE SPINDLE	RO4M340786
34	R3909	LID ADJUSTMENT CAM	RO4M341029
35	R3826	WASHER LID CAM	JWSR341051
36		SPRING WASHER	
37	R1619	STAT DRIVE LOCATING BRACKET	RS4M22865
38	R3689	SCREW M8 x 16 HX HD	KHEX500026
39	A1472	HANDRAIL BRACKET WASHER	JWSR313206
40	A2314	HANDRAIL BRACKET	AG4M210853
41	A2975	HANDRAIL END CAP	AG4M210660
42	R1723	HANDRAIL	RO4M340837
43	R1713	BUTTON CORNER STAY NUT	RS4M24420
44	R1066	CORNER STAY NUT	KNUT53090

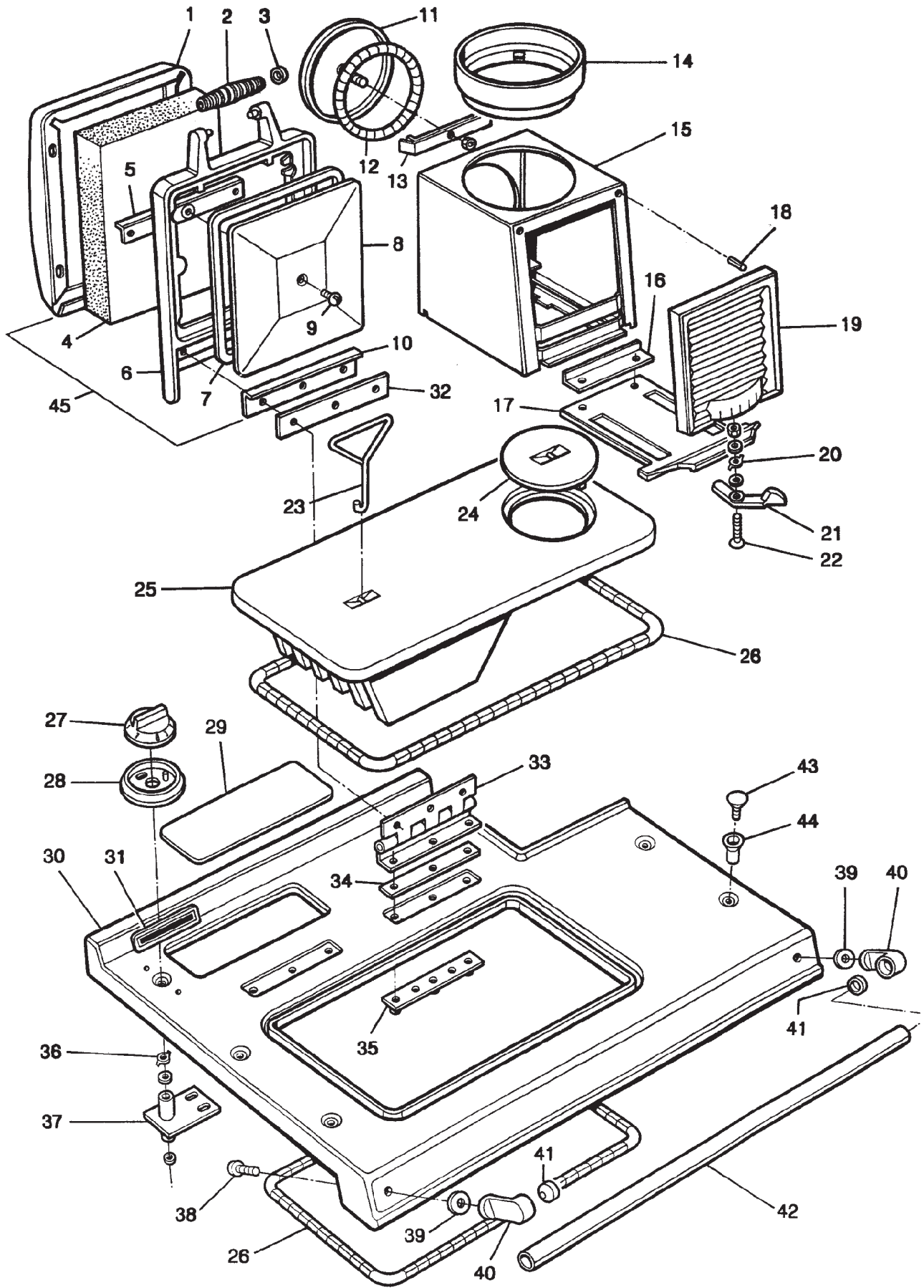




**RAYBURN 355SF/345W - HOB PLATE, INSULATING COVERS  
& FLUE CHAMBER - UP TO M04-042**

## HOB PLATE, INSULATING COVERS &amp; FLUE CHAMBER

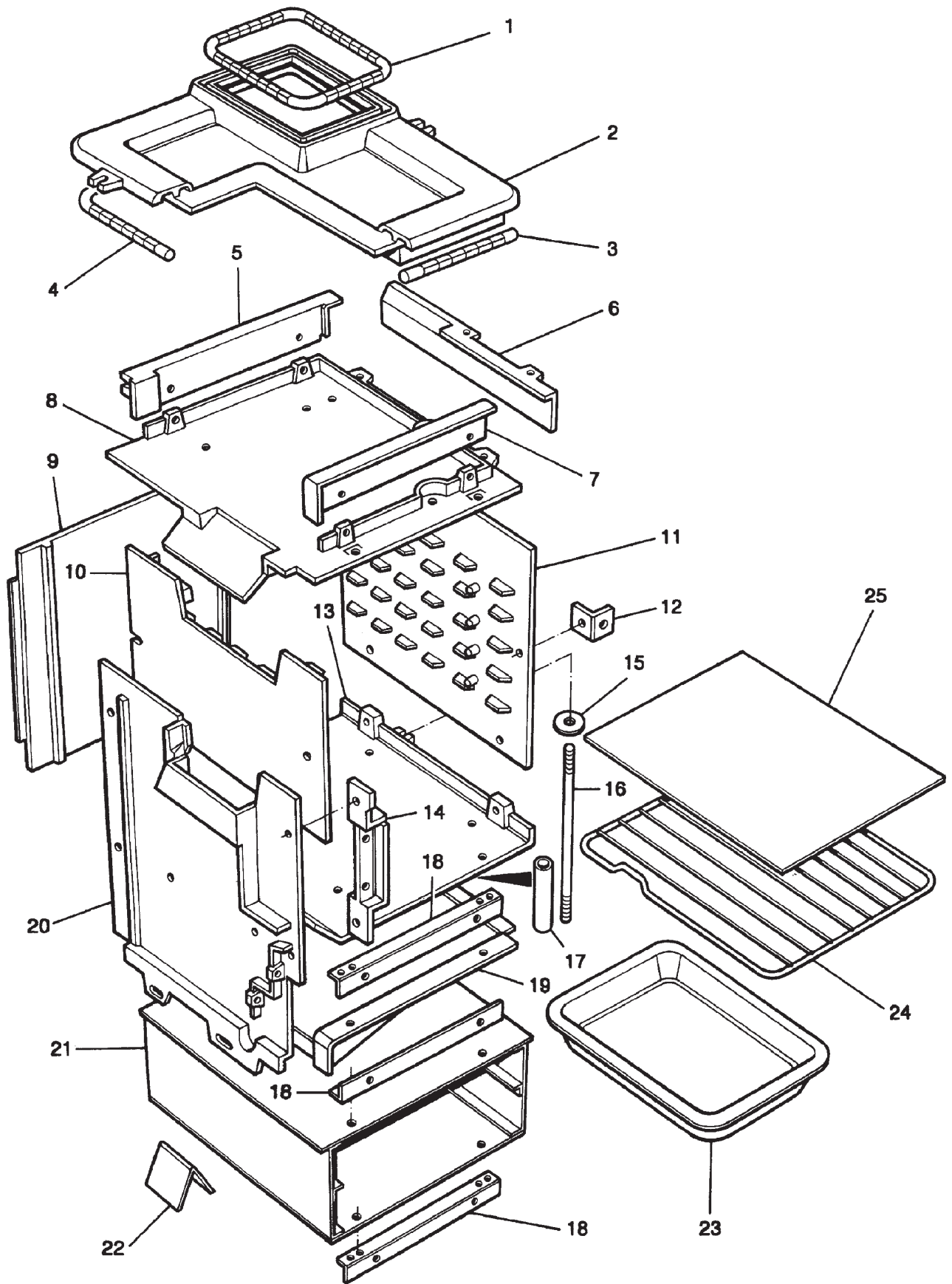
ITEM No.	CAT No.	DESCRIPTION	PRODUCT CODE
1	R4566	INSULATING COVER	RO2M342347
2	R3028	COIL HANDLE	RO4M340522
3	R4863	COIL HANDLE - CUP (SET 4)	RO9M340521SET4
4	R2767	PAD COVER - INSULATION	JPAD340307
5		LINER FIXING BRACKET	RO2M342362
6	R4565	INSULATING COVER - BASE	RO5E342348
7	R3457	SEAL - INSULATING LID	JMAR340790
8	R1614	LINING PANEL	RO2E340773
9		SCREW 1/4" x 1 13/16" RSD CSK C/P	KRCK50372
10	R4564	HINGE COVER	RO2M342387
11	R1641	BLANKING PLATE	RS4E38977
12		ROPE 7 DIA x 500mm LG	
13	R2123	BLANKING PLATE STRAP	RS4M38773
14	R1642	FLUE CHAMBER SOCKET	RS4E42644
15	R5130	FLUE CHAMBER ASSEMBLY	RS2E301136
16		STOP BRACKET	RS2M300115
17	R5166	DAMPER BLADE (VE)	RS5E301133
18	H1723	PIN BISSEL 3/16"x 1" LG	KCTR37850
19	R1785	FLUE CHAMBER DOOR	RS5E3-13344
20	R4751	M5 SPRING WASHER	KWSR53638
21	R1743	FLUE CHAMBER CAM	RS4M36072
22	R5116	M5 x 30 C/SNK C/P	KCSK50171
23	R1764	HOTPLATE LIFTING TOOL	RS4M47450
24	R1843	HOTPLATE CUP PLUG	RS5M27-SP
25	R1593	HOTPLATE C/W CUP	RS1M0-16187-27
26	R1038	No.4 T/SEAL ROPE FOR HOTPLATE	JTHR20389X1.6M
27	R2476	T/STAT CONTROL KNOB C/W D CLIP	RS9M34056COMP
28	R2050	STAT BEZEL C/W FIXING SCREW	RS9M22324COMP
29	R1786	HOB PLATE FILLER PLATE	RS5E3-15918
30		HOB PLATE	RS5E342542
31		NAME PLATE - UP TO NP05-029	RS4M301100
32		HINGE GASKET TOP	JGSG342404
33		HINGE LID	RO4M342364
34		HINGE GASKET	JGSG342369
35		TAPPING PLATE	RO2M342370
36		SPRING WASHER	
37	R1619	STAT DRIVE LOCATING BRACKET	RS4M22865
38	R3689	SCREW M8 x 16 HX HD	KHEX500026
39	A1472	HANDRAIL BRACKET WASHER	JWSR313206
40	A2314	HANDRAIL BRACKET	AG4M210853
41	A2975	HANDRAIL END CAP	AG4M210660
42	R1723	HANDRAIL	RO4M340837
43	R1713	BUTTON CORNER STAY NUT	RS4M24420
44	R1066	CORNER STAY NUT	KNUT53090
45	R4567	INSULATING COVER ASSEMBLY	RG1M313257



**RAYBURN 355SF/345W - HOB PLATE, INSULATING COVERS & FLUE CHAMBER - FROM M04-042**

## HOB PROTECTOR PLATE, TOP OVEN &amp; WARMING OVEN

ITEM No.	CAT No.	DESCRIPTION	PRODUCT CODE
1		ROPE 15 x 630	JTHR20392
2	R1805	HOB PLATE PROTECTOR PLATE	RS5M0-17822
3		ROPE T/SEAL	
4		ROPE T/SEAL	
5	R1812	OVEN TOP BACK FLUE PLATE	RS5M1-16193
6	R2572	OVEN TOP RH SIDE PLATE	RG5M3-16199
7	R2858	FLUE ASSY - TOP OVEN	RS2V91285
8	R1804	OVEN TOP PLATE	RS5M0-16198
9	R3853	OVEN BACK PLATE	RO5M342081
10	R4128	OVEN SIDE LH - REMOVABLE PLATE	RG5M341249
11	R1915	OVEN SIDE FIXED - RHO	RS507-RH
12	R2793	TOP OVEN SIDE FIXING BRACKET	RS2M93013
13	R2597	TOP OVEN BOTTOM PLATE	RS5O300015
14	R2953	BRACKET F/BOX SIDE FIXING	RS5M301092
15		WASHER	
16	R1761	OVEN STAY ROD	RS4M44111
17	R2701	WARMING OVEN VENT PIPE	RS2M91495
18	R2794	OVEN RETAINING BRACKET	RS2M301068
19		OVEN REFLECTOR DUCT MAIN BODY	RG2M310100
20	R2669	FIREBOX SIDE PLATE	RS5M301079
21	R4002	WARMING OVEN ASSY	RS1M301117
22	R2688	CENTRE ANGLE	RG2M90371
23	R4061	MEAT TRAY	EMTY530219
24	R2573	OVEN GRID SHELF	RS4M300070
25	R1618	PLAIN OVEN SHELF	RO2M340757

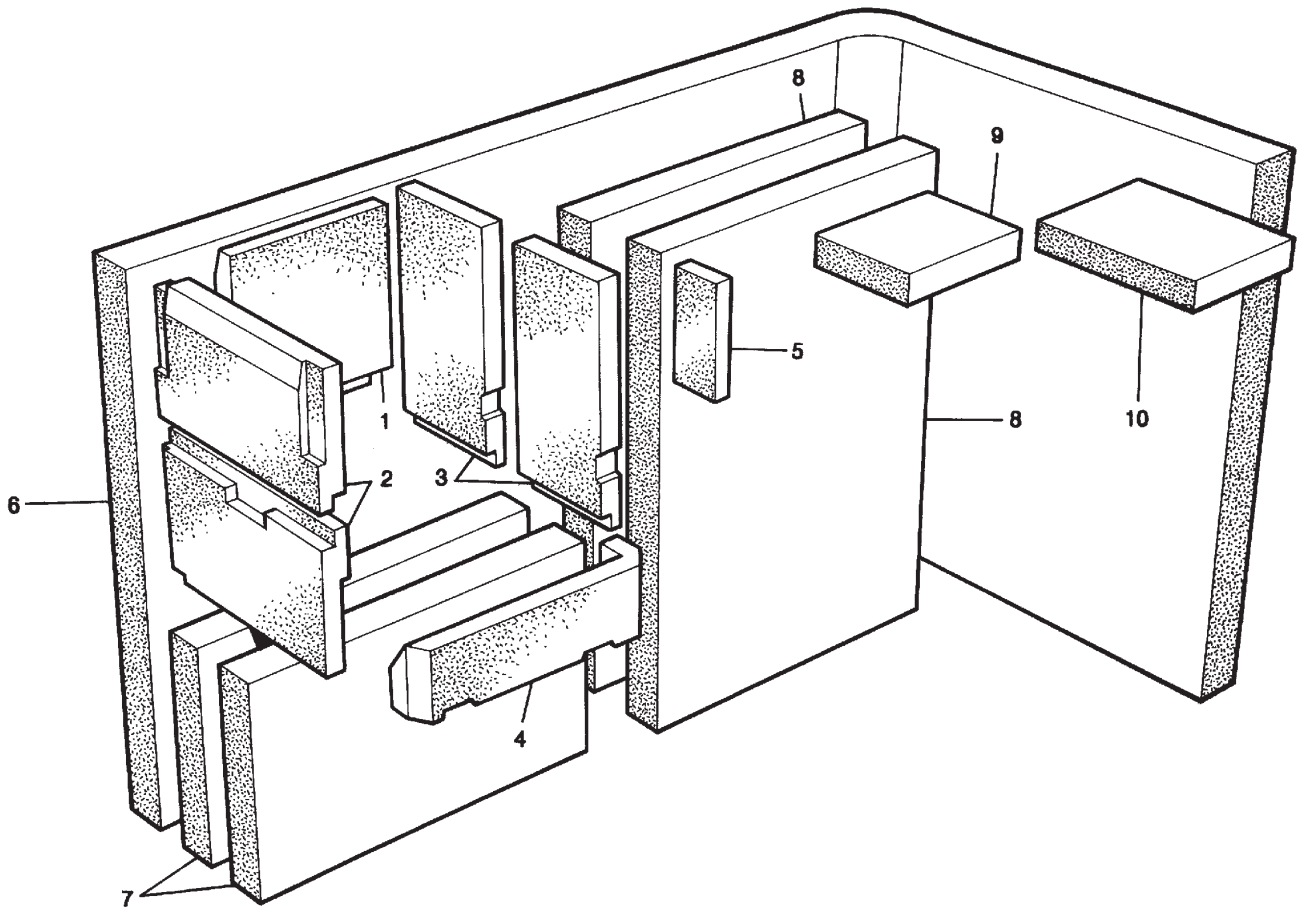


**RAYBURN 355SF/345W - HOB PROTECTOR PLATE,  
TOP OVEN & WARMING OVEN**

RAYBURN 355SF/345W  
FIREBRICKS AND INSULATION

MAY 2007

ITEM No.	CAT No.	DESCRIPTION	PRODUCT CODE
1	R1657	REAR BRICK	RS4F3-16274
2	R1658	REMOVABLE SIDE FIREBRICKS	RS4F3-16275
3	R1656	OVEN SIDE FIREBRICKS	RS4F301137
4	R1655	FRONT FIREBRICK	RS4F3-16271
5	R1678	FIREBOX SIDE TOP FIREBRICK	RS4F4-16273
		INSULATION PACK CONTAINING ITEMS 6 - 10	MRWF300087



**RAYBURN 355SF/345W  
FIREBRICKS AND INSULATION**