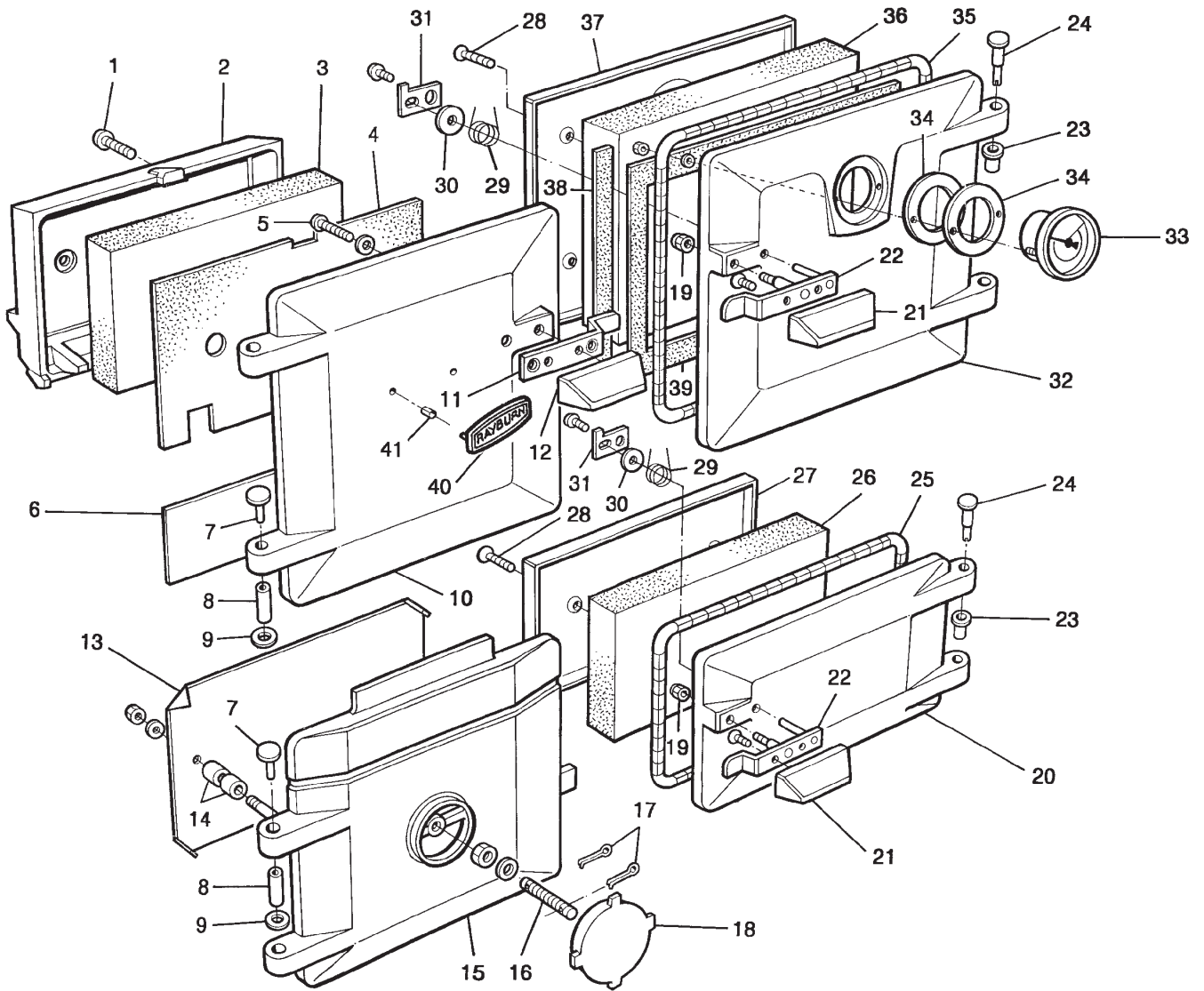


# **RAYBURN 300W**

## ***SPARE PARTS MANUAL***

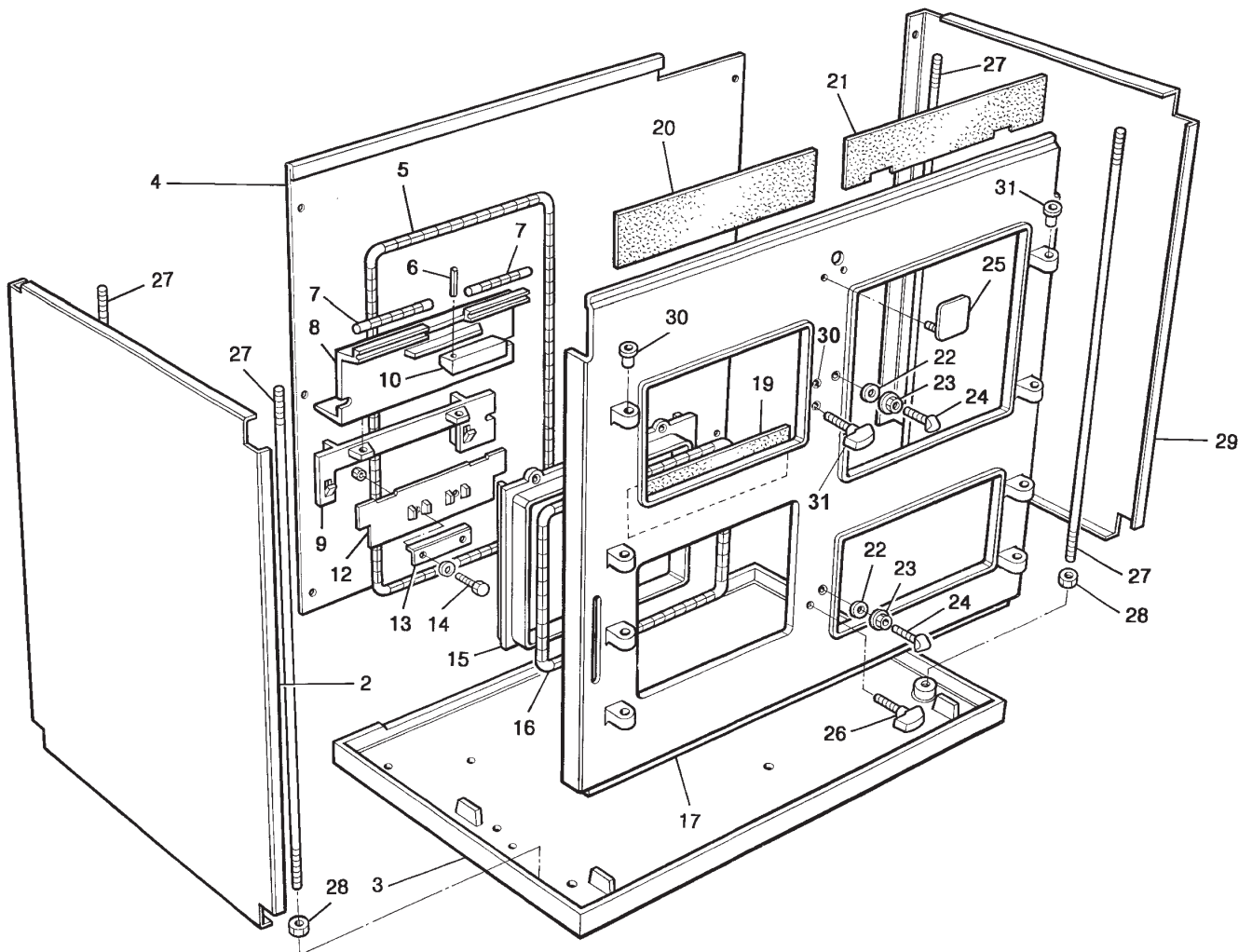
ITEM No.	CAT No.	DESCRIPTION	PRODUCT CODE
1		SCREW 5/16" BSW x 1 1/2" RND HEAD	KRDH51780
2	R2072	FIRE DOOR PROT PLATE COMPLETE	RS----9M4-16202COMP
3		ROCKWALL	MRWF35404
4		FIREDOOR HEAT SHIELD (INCL IN ITEM 2)	JPAD41776
5		SCREW M5 x 25 LG HEX HD	KHEX50934
6	R2248	HEAT SHIELD MIDDLE	JPAD301228
7	R4720	DOOR HINGE BUTTON - UP TO M05-051	RS4M301095
8		DOOR HINGE PIN - UP TO M06-051	RS4M301104
8A	R2633	DOOR HINGE PIN - FROM M06-051	RO4M340227
9		WASHER NYLON 8 x 16 x 1	KWSR53500
10	R3587	FIRE DOOR COMPLETE - UP TO M05-144	RS9M301094COMP
10A		FIRE DOOR COMPLETE - FROM M05-144	RS9M997447
11	R6481	CATCH PLATE (UP TO M05-144)	RS4M301096
12	R2061	DOOR HANDLE C/W SCREWS	RS9M31530COMP
13	R1616	ASHPIT DOOR BAFFLE PLATE	RS2M91280
14	A2331	BAFFLE DISTANCE PIECE	AS4M28060
15	R1931	ASHPIT DOOR COMPLETE	RS9E1-16174
16		SEE ITEM 18	
17		SEE ITEM 18	
18	R2084	SPIN VALVE C/W FIXINGS	RS9M43460COMP
19	R3417	M8 SELF LOCKING NUT	KNUT500327
20	R2591	SIMMERING OVEN DOOR COMPLETE	RO9M340325COMP
21	R2636	DOOR HANDLE/CATCH ASSY	RO9M340181COMP
23	R2759	BUSH - DOOR HINGE	RO4M340226
24	R2633	HINGE PIN	RO4M340227
25	R2641	SEAL BOTTOM OVEN DOOR	JMAR340256
26	R2975	PAD INSULATION - BOTTOM OVEN DOOR	JPAD340466
27	R2974	BOTTOM OVEN DOOR LINING PANEL	RG2M313313
28		M6 x 25 LG C/SK HEAD SCREW	KCSK500302
29		SPRING DOOR CATCH (INCL IN ITEM 21)	RO4M340297
30		WASHER M8 x 12mm (INCL IN ITEM 21)	KWSR53400
31		BRACKET DOOR STOP CATCH (INCL IN ITEM 21)	RO4M340349
32	R3593	TOP OVEN DOOR - COMPLETE	RO9M340138-355S
33	R2432	THERMODIAL	RS4T301075
34	R1147	THERMODIAL GASKET	RG4M30412
35	R2642	SEAL TOP OVEN	JMAR340255
36	R2986	INSULATION PAD	JPAD340465
37	R2985	TOP OVEN DOOR LINING PANEL	RO2M313325
38	R2642	TAPE - DOOR	JMAR340255
39		GASKET - TOP OVEN DOOR	JGSG341290
40	R5290	BADGE	RO4M343291
41		CLIP - PUSH ON	KCLP53173



**RAYBURN 300W  
TOP/BOTTOM OVEN DOORS, FIRE DOOR & ASHPIT DOOR  
ASSYS**

## FRONT PLATE, SIDE PLATES, BACK PLATE, BASE PLATE

ITEM No.	CAT No.	DESCRIPTION	PRODUCT CODE
3	R2479	BASE PLATE	RG5M313072
4	R1634	BACK PLATE	RS2M301125
5		ROPE 7 DIA	
6		ROLL PIN 3/16"	KSTD500452
7		ROPE 7 DIA x 120mm LG	
8	R1810	SECONDARY AIR SEALING PLATE	RS5M1-16190
9	R1708	SECONDARY AIR SEALING PLATE FOOT	RS4M22095
10	R1893	SECONDARY AIR SHUT OFF SLIDE	RS5M4-13705
12		CLINKER DOOR	RS4M22096
12A	R2049	CLINKER DOOR C/W HANDLE (INCLS ITEMS 12, 13 & 14)	RS9M22096COMP
13		CATCH - CLINKER DOOR	RS2M91275
14		SCREWS	KHEX51065
15	R1811	ASHPIT DOOR FRAME	RS5M1-16191
16		ROPE 7 DIA	
17		FRONT PLATE - FROM M05-144	RS5E301158
17A	R1923	FRONT PLATE 355M - UP TO M05-144	RS5E301090
17B	R2248	FRONT PLATE - COMPLETE	RS1M-SMF-FP
19	R2867	HEAT SHIELD MIDDLE	JPAD301228
20	R1021	TOP SHIELD BLR SIDE	JPAD41777
21		TOP HEAT SHIELD OVEN SIDE	JPAD30770
22		SEE ITEM 24	
23	R2754	M8 FLANGE NUT	KNUT500260
24	R2679	DOOR KEEP C/W WASHER	RO9M340185COMP
25		DAMPER BLANKING PLATE	RS4M301218
26	R5029	ASHPIT DOOR CATCH - M8	RS4M300116
27	R1760	CORNER STAY RODS	RS4M44080
27A	R2088	SET OF 4 CORNER STAY RODS & NUTS	RS9M44080SET4
28	R2309	LOCKNUT 3/8" BSW	KNUT52911
29	R3573	SIDE PANEL	RG2V313255
30	R2679	DOOR KEEP C/W WASHER - UP TO M05-144	RO9M340185COMP
31	R5029	ASHPIT DOOR CATCH - FROM M05-144	RS4M300116

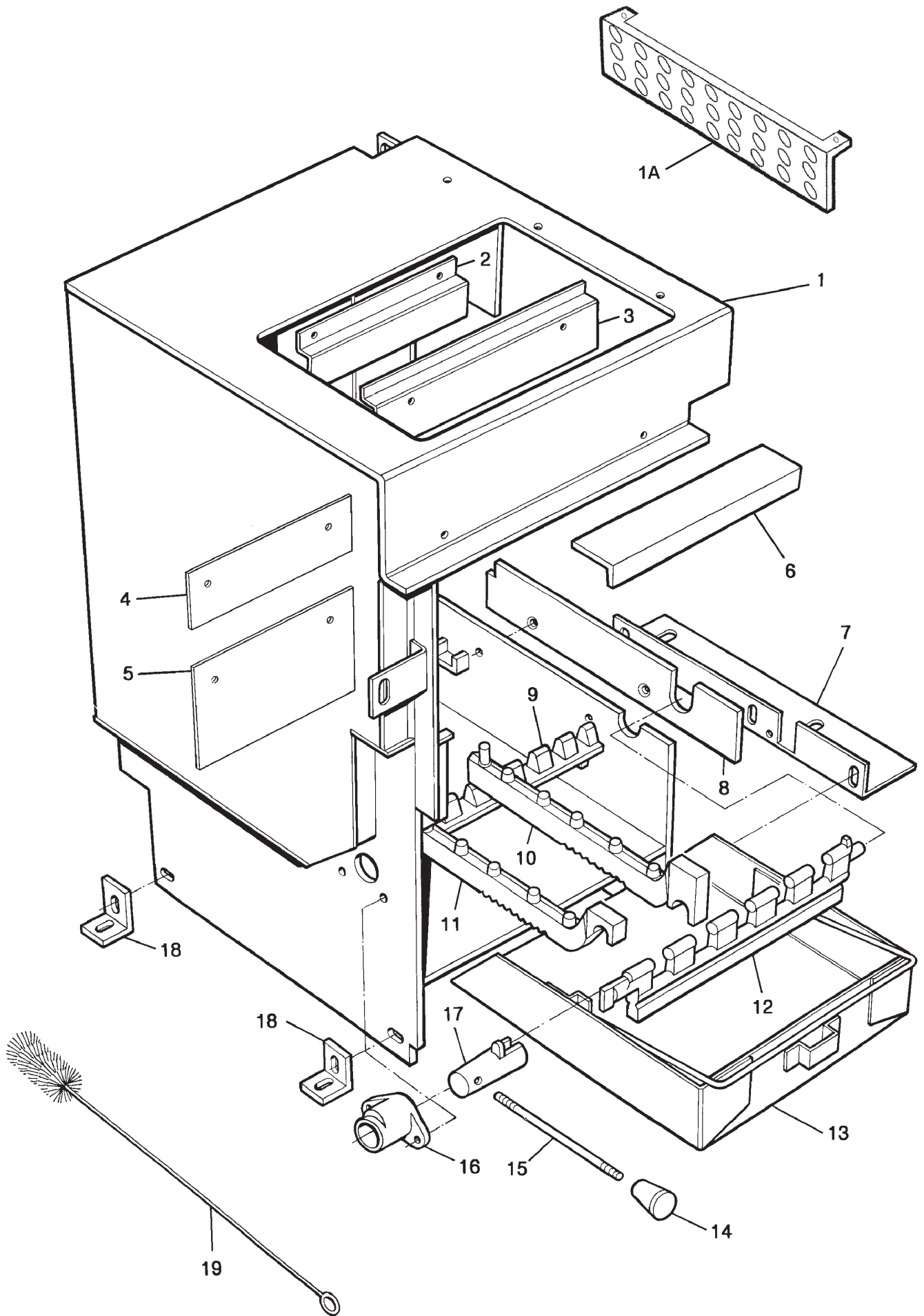


**RAYBURN 300W**  
**FRONT PLATE, SIDE PLATES, BACK PLATE, BASE PLATE**

**RAYBURN 300W  
FIREBOX ASSEMBLY**

**JULY 2007**

<b>ITEM No.</b>	<b>CAT No.</b>	<b>DESCRIPTION</b>	<b>PRODUCT CODE</b>
1		FIREBOX ASSY	RS1M301164
1A		FLUE RESTRICTOR PLATE	RS2M301349
2		TOP RETAINING BRACKET	RS2M301178
3		SMOKE GUARD BRACKET	RS2M301195
4		BOTTOM RETAINING BRACKET	RS2M301177
5	R1860	BOTTOM BRACKET - FIREBRICK	RS2M301205
6	R2688	BOTTOM GRATE BAFFLE	RS5M3-18172
7	R1859	CENTRE ANGLE	RG2M90371
8	R1709	FIREBRICK RETAINING BRACKET	RS5M3-16288
9	R1707	BOTTOMGRATE REAR SPACER	RS4M22098
10	R1706	BOTTOMGRATE BAR BOTTOM	RS4M22094
11	R2046	FIREBAR TOP	RS4M22093
11A		SET OF 11 BOTTOMGRATE BARS (COMPRISES 6- OFF ITEM 11 & 5-OFF ITEM 10)	RS2M22093-4ST11
	R1857		
12	R2489	ROCKER BAR	RS5M3-16177
13	H1192	ASHPAN	RS1M301088
14	R2081	RIDDLING ROD KNOB (PART OF ITEM 15)	HS4M34012
15	R1895	RIDDLING ROD AND KNOB COMP.	RS4M41156COMP
16	R1896	RIDDLING BUSH	RS5M4-16201
17	R2690	RIDDLING CONNECTOR	RS5M4-16203
18	H1159	BASE PLATE BRACKET	RG2M311231
19		FLUE BUSH	HS4M23323

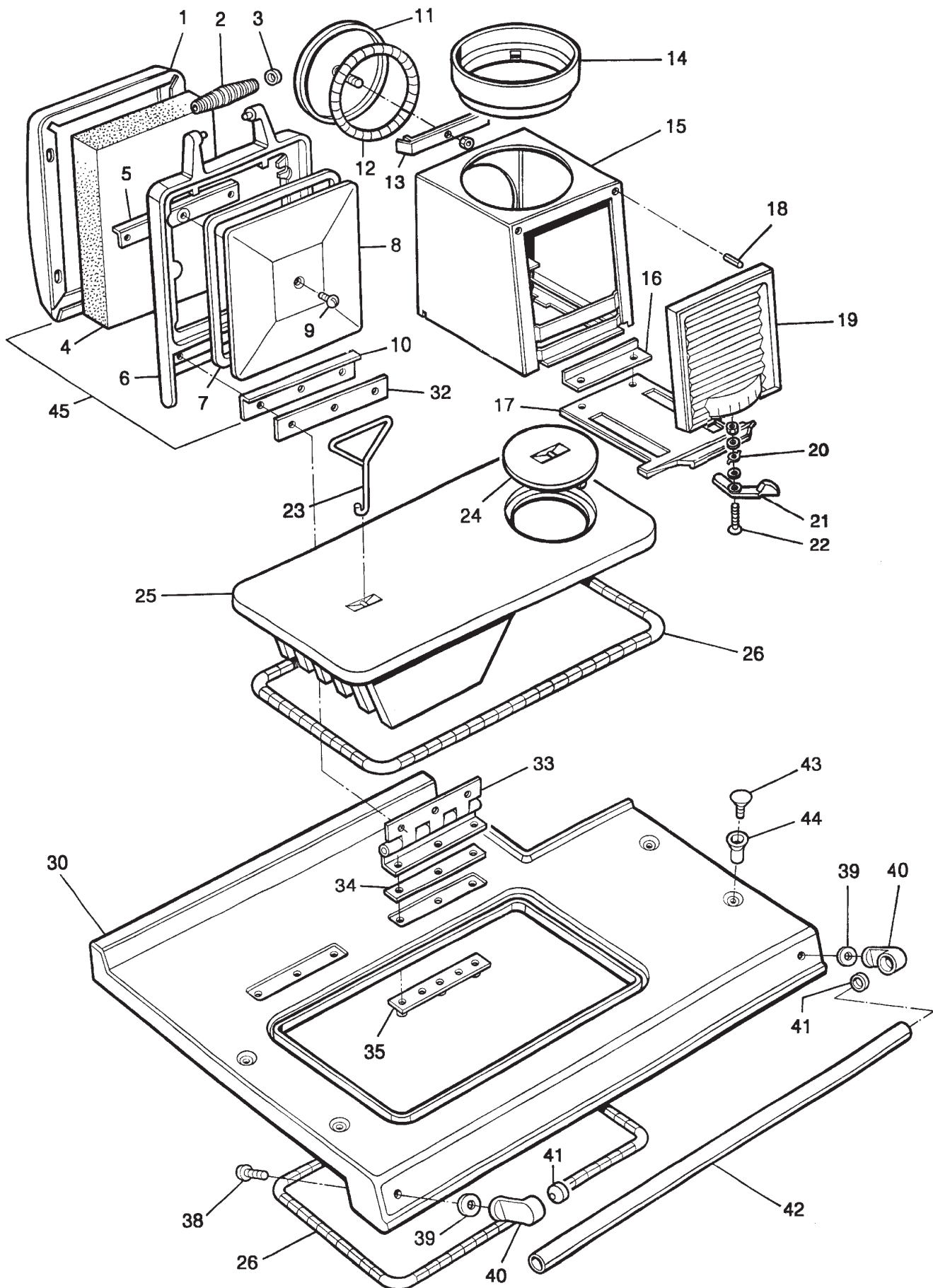


**RAYBURN 300W  
FIREBOX ASSEMBLY**

## HOB PLATE, INSULATING COVERS &amp; FLUE CHAMBER

ITEM No.	CAT No.	DESCRIPTION	PRODUCT CODE
1	R4566	INSULATING COVER	RO2M342347
2	R3028	COIL HANDLE	RO4M340522
3	R4863	COIL HANDLE - CUP (SET 4)	RO9M340521SET4
4	R2767	PAD COVER - INSULATION	JPAD340307
5		LINER FIXING BRACKET	RO2M342362
6	R4565	INSULATING COVER - BASE	RO5E342348
7	R3457	SEAL - INSULATING LID	JMAR340790
8	R1614	LINING PANEL	RO2E340773
9		SCREW 1/4" x 1 13/16" RSD CSK C/P	KRCK50372
10	R4564	HINGE COVER	RO2M342387
11	R1641	BLANKING PLATE	RS4E38977
12		ROPE 7 DIA x 500mm LG	
13	R2123	BLANKING PLATE STRAP	RS4M38773
14	R1642	FLUE CHAMBER SOCKET	RS4E42644
15	R5130	FLUE CHAMBER ASSEMBLY	RS2E301136
16		STOP BRACKET	RS2M300115
17	R5166	DAMPER BLADE (VE)	RS5E301133
18	H1723	PIN BISSEL 3/16"x 1" LG	KCTR37850
19	R1785	FLUE CHAMBER DOOR	RS5E3-13344
20	R4751	M5 SPRING WASHER	KWSR53638
21	R1743	FLUE CHAMBER CAM	RS4M36072
22	R5116	M5 x 30 C/SNK C/P	KCSK50171
23	R1764	HOTPLATE LIFTING TOOL	RS4M47450
24	R1843	HOTPLATE CUP PLUG	RS5M27-SP
25	R1593	HOTPLATE C/W CUP	RS1M0-16187-27
26	R1038	No.4 T/SEAL ROPE FOR HOTPLATE	JTHR20389X1.6M
30	R4641	HOB PLATE	RO5E341320
31		NAME PLATE - UP TO NP05-029	RS4M301100
32		HINGE GASKET TOP	JGSG342404
33		HINGE LID	RO4M342364
34		HINGE GASKET	JGSG342369
35		TAPPING PLATE	RO2M342370
36		SPRING WASHER	
37	R1619	STAT DRIVE LOCATING BRACKET	RS4M22865
38	R3689	SCREW M8 x 16 HX HD	KHEX500026
39	A1472	HANDRAIL BRACKET WASHER	JWSR313206
40	A2314	HANDRAIL BRACKET	AG4M210853
41	A2975	HANDRAIL END CAP	AG4M210660
42	R1723	HANDRAIL	RO4M340837
43	R1713	BUTTON CORNER STAY NUT	RS4M24420
44	R1066	CORNER STAY NUT	KNUT53090
45	R4567	INSULATING COVER ASSEMBLY	RG1M313257

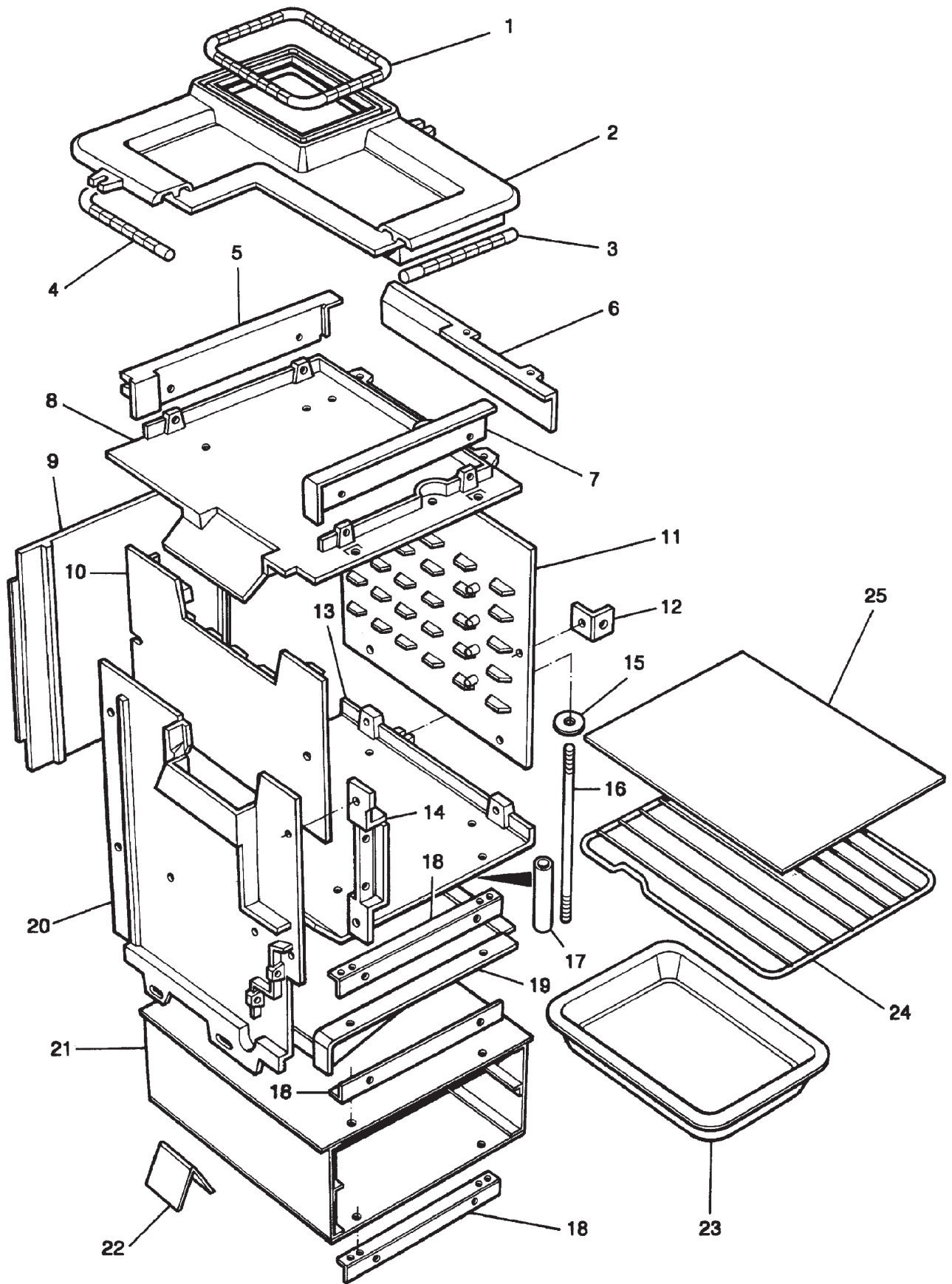




**RAYBURN 300W**  
**HOB PLATE, INSULATING COVERS & FLUE CHAMBER**

## HOB PROTECTOR PLATE, TOP OVEN &amp; WARMING OVEN

ITEM No.	CAT No.	DESCRIPTION	PRODUCT CODE
1		ROPE 15 x 630	JTHR20392
2	R1805	HOB PLATE PROTECTOR PLATE	RS5M0-17822
3		ROPE T/SEAL	
4		ROPE T/SEAL	
5	R1812	OVEN TOP BACK FLUE PLATE	RS5M1-16193
6	R2572	OVEN TOP RH SIDE PLATE	RG5M3-16199
7	R2858	FLUE ASSY - TOP OVEN	RS2V91285
8	R1804	OVEN TOP PLATE	RS5M0-16198
9	R3853	OVEN BACK PLATE	RO5M342081
10	R4128	OVEN SIDE LH - REMOVABLE PLATE	RG5M341249
11	R1915	OVEN SIDE FIXED - RHO	RS507-RH
12	R2793	TOP OVEN SIDE FIXING BRACKET	RS2M93013
13	R2597	TOP OVEN BOTTOM PLATE	RS5O300015
14	R2953	BRACKET F/BOX SIDE FIXING	RS5M301092
15		WASHER	
16	R1761	OVEN STAY ROD	RS4M44111
17	R2701	WARMING OVEN VENT PIPE	RS2M91495
18	R2794	OVEN RETAINING BRACKET	RS2M301068
19		OVEN REFLECTOR DUCT MAIN BODY	RG2M310100
20	R2669	FIREBOX SIDE PLATE	RS5M301079
21	R4002	WARMING OVEN ASSY	RS1M301117
22	R2688	CENTRE ANGLE	RG2M90371
23	R4061	MEAT TRAY	EMTY530219
24	R2573	OVEN GRID SHELF	RS4M300070
25	R1618	PLAIN OVEN SHELF	RO2M340757

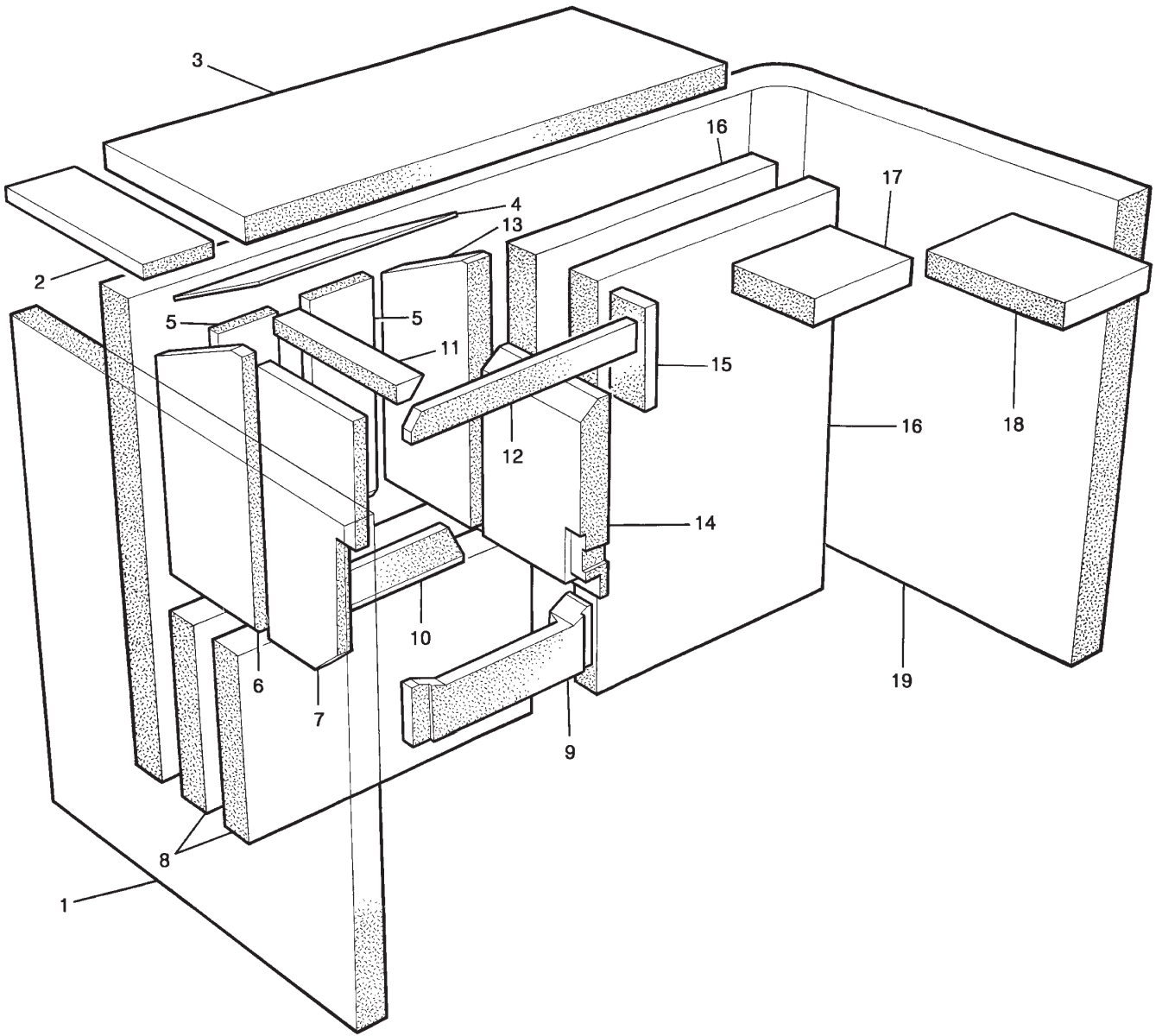


**RAYBURN 300W**  
**HOB PROTECTOR PLATE, TOP OVEN & WARMING OVEN**

**RAYBURN 300W  
FIREBRICKS AND INSULATION**

**JULY 2007**

ITEM No.	CAT No.	DESCRIPTION	PRODUCT CODE
1		LEFT SIDE INSULATION BLANKET	JPAD301224
2		TOP LEFT INSULATION BLANKET	JPAD301226
3		TOP REAR INSULATION BLANKET	JPAD301225
4		FIREBOX BAFFLE PLATE	RS5M301182
5		REAR FIREBRICK	RS4F301171
6		LH REAR FIREBRICK	RS4F301172
7		LH FRONT FIREBRICK	RS4F301173
8		PART OF PACK	MRWF300087
9		FRONT FIREBRICK	RS4F301175
10		REAR ANGLE FIREBRICK	RS4F301176
11		INSULATION BOARD F/BOX SIDE	JPAD301221
12		INSULATION BOARD F/BOX FRONT	JPAD301220
13		RH REAR FIREBRICK	RS4F301170
14		RH FRONT FIREBRICK	RS4F301200
15	R1678	FIREBRICK F/BOX TOP SIDE	RS4F4-16273
16		PART OF PACK	MRWF300087
17		PART OF PACK	MRWF300087
18		PART OF PACK	MRWF300087
19		PART OF PACK	MRWF300087



**RAYBURN 300W  
FIREBRICKS AND INSULATION**