



Installation Instructions. Rayburn 300W Wood Burning Cooker



BS EN 12815 from AGA

Consumer Protection Act 1987

As responsible manufacturers, we take care to make sure that our products are designed and constructed to meet the required safety standards when properly installed and used.

IMPORTANT NOTICE: PLEASE READ THE ACCOMPANYING WARRANTY: Any alteration that is not approved by AGA could invalidate the approval of the appliance, operation of the warranty and could also affect your statutory rights.

All local regulations including those referring to national and European standards need to be complied with when installing the appliance.

Control of Substances - Health and Safety Important

This appliance may contain some of the materials that are indicated. It is the Users/Installers responsibility to ensure that the necessary personal protective clothing is worn when handling, where

applicable, the pertinent parts that contain any of the listed materials that could be interpreted as being injurious to health and safety, see below for information.

Firebricks, Fuel beds, Fuels - when handling use disposable gloves.

Fire Cement - when handling use disposable gloves.

Glues and Sealants - exercise caution - if these are still in liquid form use face mask and disposable gloves.

Glass Yarn, Mineral Wool, Insulation Pads, Ceramic Fibre, Kerosene Oil - may be harmful if inhaled, may be irritating to skin, eyes, nose and throat. When handling avoid inhaling and contact with skin or eyes. Use disposable gloves, face-masks and eye protection. After handling wash hands and other exposed parts. When disposing of the product, reduce dust with water spray, ensure that parts are securely wrapped.

PERFORMANCE

WARNING

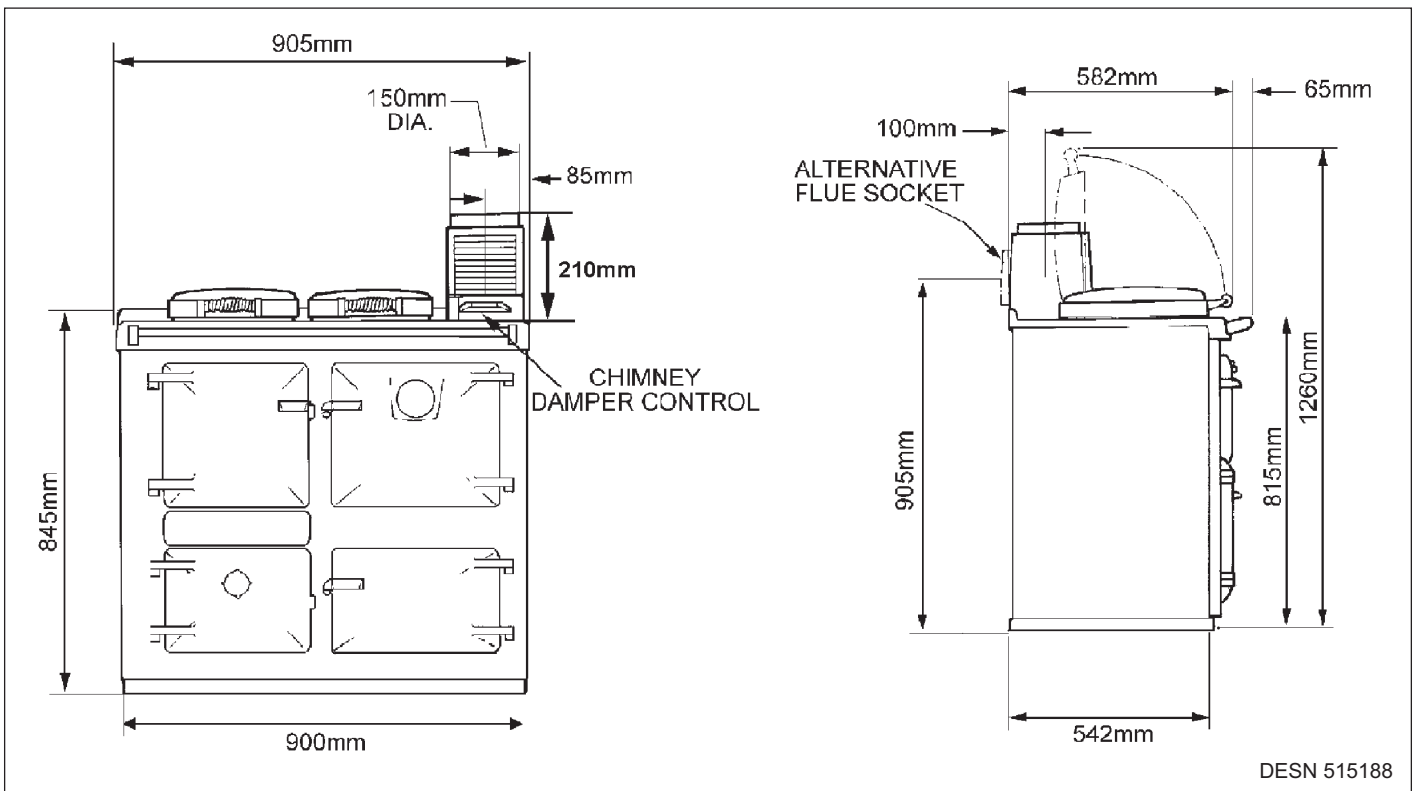
THE ASHPIT AND FIREBOX DOORS MUST BE LOCKED CLOSED AT ALL TIMES DURING NORMAL USE, EXCEPT WHEN LIGHTING OR RE-FUELLING.

REMEMBER: when replacing a part on this appliance, use only spare parts that you can be assured conform to the safety and performance specification that we require. Do not use reconditioned or copy parts that have not been clearly authorised by AGA.

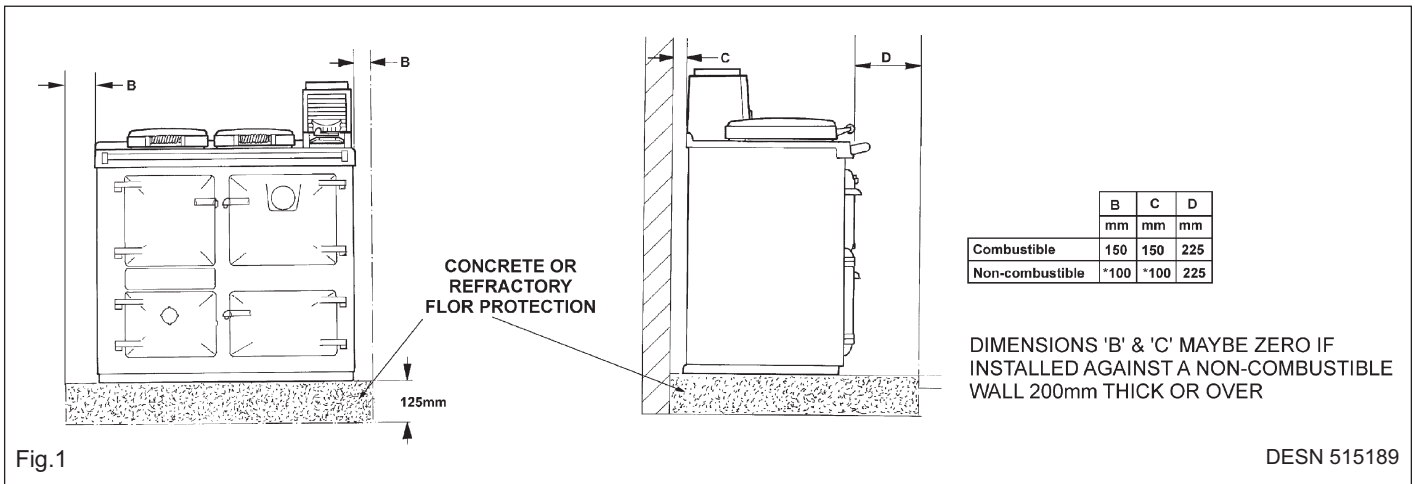
Total weight of appliance - 380 Kg.

The Rayburn 300W is a cooker and roomheater.

Fuel	Total (kW)	To Space (kW)	Flue Gas Mass Flow (g/s)
Wood Logs	5.3	5.3	7.8



DESN 515188



When using this appliance all grate plates must be installed in the grate. **THIS APPLIANCE IS NOT SUITABLE FOR BURNING SOLID MINERAL FUELS OR BITUMINOUS COAL.** This appliance has been tested using wood logs only.

Grate riddling is not required under normal burning conditions and is provided for grate cleaning. Do not allow ash to build up under the bottom grate and as a general rule check the ashpan at each re-fuelling. Empty as necessary.

PREPARATION OF SITE

The non-combustible hearth must be solid and level and together with the walls adjacent to the cooker and chimney, conform to current Building Regulations. The cooker and chimney flue installation should be in accordance with the relevant recommendations of the British Codes of Practice BS 8303, BS 6461 Part 1 and BS 7566 Parts 1 to 4.

COOKER POSITION

When the cooker is installed in a recess it must be 'freestanding' and not built-in solid at the sides. Ensure that any combustible material e.g. kitchen furniture is spaced away from the cooker to the recommended distances. See Fig. 1.

Tiling

Where the cooker is to stand in a recess or against a wall which is to be tiled, **in no circumstances should the tiles overlap the cooker top plate.**

BUILDERS OPENING

The fireplace recess should comply with current building regulations, and have an opening of 1,080mm wide minimum, by 343mm deep minimum and 1,680mm high minimum from floor is recommended.

NOTE (SEE FIG. 1): PLEASE NOTE IT IS ADVISABLE TO CHECK THE SIZE/WIDTH OF YOUR APPLIANCE BEFORE FINALLY FIXING ANY KITCHEN UNITS SINCE ENAMELLED CAST IRON CAN VARY IN SIZE.

THE CHIMNEY

The minimum chimney draught requirement at nominal total heat output is 12 Pa (1.2mm w.g.).

The mean flue gas temperature directly downstream of the flue spigot at nominal heat output is 243°C.

This appliance is not suitable for installation in a shared flue system.

The minimum clearance to combustible materials is 150mm.

Checking existing chimney

The internal and external condition of the chimney should be checked **before** the appliance is installed and rectification made where necessary to prevent leakage or porosity. The soundness of the chimney which should have a minimum flue dimension of 175mm square or 185mm diameter can be confirmed by smoke testing. Advice on the test method can be obtained from HETAS.

When repairing or re-using chimneys its recommended that the building control office be consulted before the commencement of work with particular attention to the chimney height and its termination.

The chimney must be swept before installation.

Erecting New Chimney

The flue through the chimney should be formed with pre-cast moisture and acid-resistant liners with a minimum internal dimension of 185mm square and all in accordance with the current Building Regulations (England and Wales) and in Scotland the Building Standards (Scotland) (Consolidation) Regulations and the Codes of Practice for chimneys and flues BS. 6461 Part 1 and BS 7566 Parts 1 to 4.

Ensure the chimney liners are free of projecting internal building jointing composition before the appliance is installed.

Factory made Insulated Chimneys

It is recommended the chimney be ceramic lined and comply with BS. 4543.

The minimum diameter for a straight chimney is 175mm and if offsets are fitted the recommended minimum diameter is 200mm.

IN ALL TYPES OF CHIMNEYS THE MINIMUM HEIGHT FOR CORRECT OPERATION OF THE COOKER IS 4.5m AND SHOULD TERMINATE ABOVE THE ROOF IN ACCORDANCE WITH REGIONAL STATUTORY REQUIREMENTS.

RECOMMENDED FLUE DRAUGHT - 12 Pa MINIMUM. THE APPLIANCE SHOULD BE INSTALLED AND CONFORM TO THE CURRENT CODES OF PRACTICE FOR INSTALLATION OF DOMESTIC HEATING AND COOKING APPLIANCES BURNING SOLID FUEL - BS 8303.

ALWAYS ADVISE THE USER TO CLEAN THE COOKER FLUES IN ACCORDANCE WITH THE OPERATING INSTRUCTIONS AND TO HAVE THE CHIMNEY SWEEPED AT A MINIMUM OF 6 MONTHLY INTERVALS AFTER THE COOKER IS COMMISSIONED. A VISUAL INSPECTION SHOULD BE CARRIED OUT MONTHLY.

WARNING: PROLONGED SOOT FORMATION MAY RESULT IN THE FLUEWAYS BECOMING BLOCKED AND COULD GIVE RISE TO THE RELEASE OF CARBON MONOXIDE, A POISONOUS GAS, INTO THE ROOM.

COOKER FLUE CONNECTION

The position of available types of flue layouts are shown in Figs. 2, 3 and 4, the cooker flue chamber is adaptable to provide either top or back flue outlets, by means of the reversible loose socket.

(a)Rear Flue Outlet

This must only be used where there is a brick flue immediately behind the cooker. Provision must be made for a condensate collecting vessel and cleaning door. See Fig. 3.

NOTE: EXTENDED REAR FLUE PIPE AND BENDS ARE NOT RECOMMENDED.

(b)Top Flue Outlet

The cooker should be connected to the main flue via a 150mm minimum diameter cast iron pipe or appropriately internally externally vitreous enamelled mild steel pipe and be sealed to the cooker flue chamber with soft rope and fire cement.

Any bends in the flue pipe must be not less than 135° (45° from horizontal) and be complete with a cleaning door.

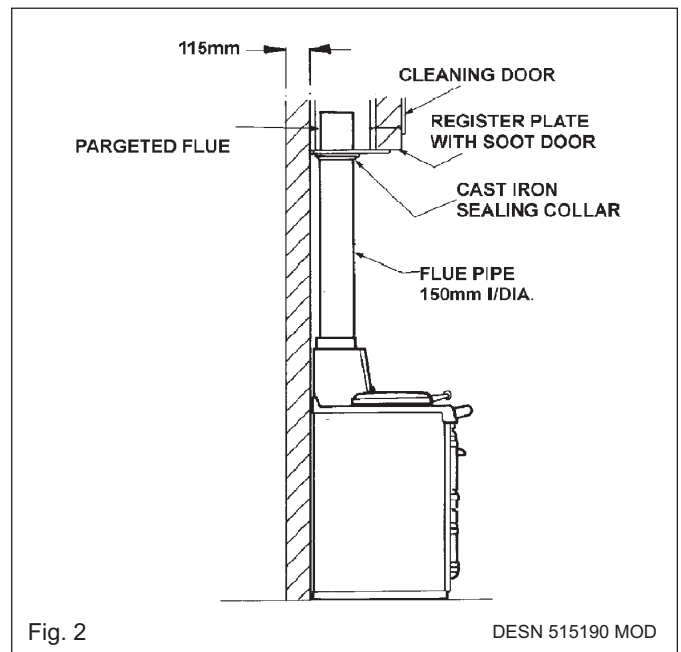


Fig. 2

DESN 515190 MOD

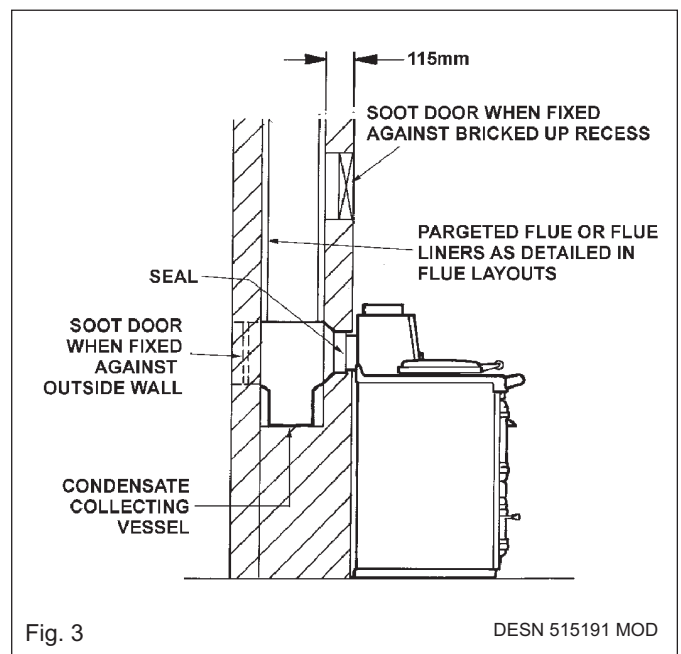


Fig. 3

DESN 515191 MOD

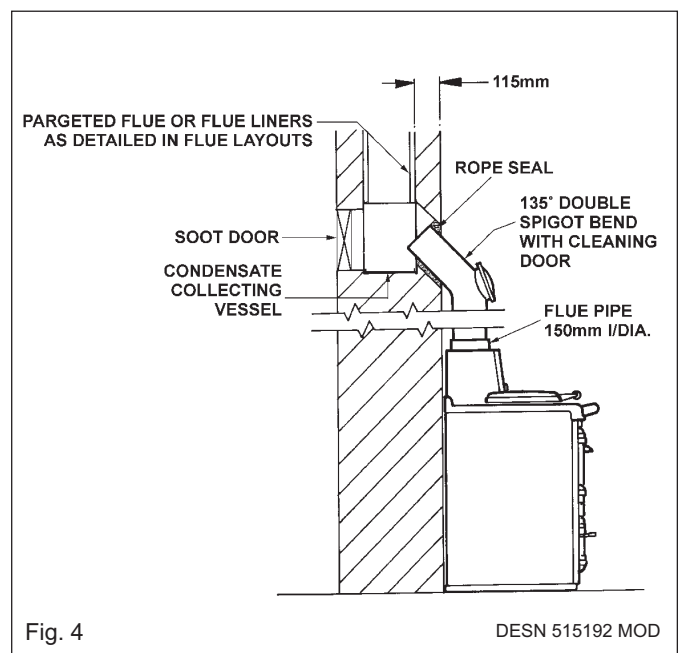


Fig. 4

DESN 515192 MOD

FLUE LAYOUTS

In Fig. 2. the cooker is installed in an existing recess. There must be a clearance of not less than 150mm between the top of the flue pipe and any overhanging brickwork.

Any cavities or pockets above the register plate should as far as possible be filled and if necessary the flue pipe should be extended into the throat of the chimney and soot door provided for chimney sweeping.

If a flue liner or insulated chimney is used, the size should not be less than 180mm diameter.

In Fig. 3, the cooker is connected direct to a brick flue.

Horizontal pipe runs between cooker and brick flue must not be used.

In Fig. 4, the cooker is connected to an existing brick flue with a length of flue pipe. Square bends and horizontal runs **must not** be used. There must be a cleaning door at every bend.

NOTE: WHATEVER METHOD OF INSTALLATION IS EMPLOYED, AIR MUST NOT BE ALLOWED TO ENTER THE CHIMNEY EXCEPT THROUGH THE COOKER. ALL JOINTS MUST BE AIR-TIGHT.

If the chimney is unlined, and there is any doubt about its condition, it should be lined in accordance with current Building Regulations.

PROVISION MUST ALWAYS BE MADE FOR SWEEPING THE CHIMNEY.

IMPORTANT: CEMENT TYPE PIPES AND FITTINGS MUST NOT BE USED WITHIN 2m. OF THE COOKER. CHIMNEYS OF PLAIN PIPE ARE NOT RECOMMENDED BUT CERTAIN PROPRIETARY MAKES OF INSULATED CHIMNEY ARE SUITABLE.

AIR SUPPLY

Provision must be made for a permanent unobstructed air vent having a minimum effective area of 1.1cm² communicated directly to outside air or an adjacent room which itself has a permanent air vent of at least this size direct to outside air.

If a flue draught stabiliser is fitted in the flue this appliance requires a permanent open air vent of 16.7 cm².

Any air inlet grilles must be positioned so that they are not liable to blockage.

It is not permissible to use an air extraction device in the same room as the appliance, unless additional ventilation is provided to prevent any adverse effect on the flue.

Effect of Extractor Fan

Compensating extra air inlets must be introduced equivalent to the capacity of the fan if fitted.

HIGH UPDRAUGHTS

Tall chimneys may develop excessively high updraughts which prevent the appliance operating correctly.

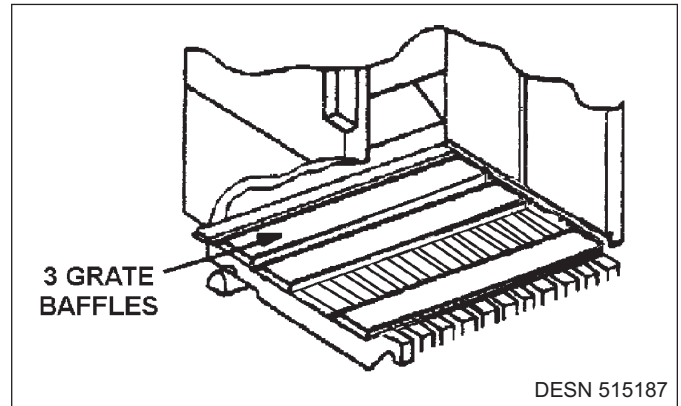
It is recommended that a proprietary brand adjustable flue draught stabiliser having an openable cross sectional area of 182.5sq cm (6"Ø pipe) be fitted above the flue pipe connection, either in the brickwork or into a right angle 'T'; fitting in the flue

pipe position that will not inconvenience appliance operation or maintenance.

GRATE RESTRICTION PLATES

The appliance comes supplied with three rectangular air restriction plates on the bottomgrate. These should always be in place during operation to control the amount of air into the firebox. They should be removed to clean the bottomgrate and to use the riddling rod on the left hand side of the appliance but must be replaced after cleaning.

Place the cooker in the intended position and lift out the surface



INSTALLATION

ground hotplate, checking that the joint between the underside of the hob and the top of the cooker is intact.

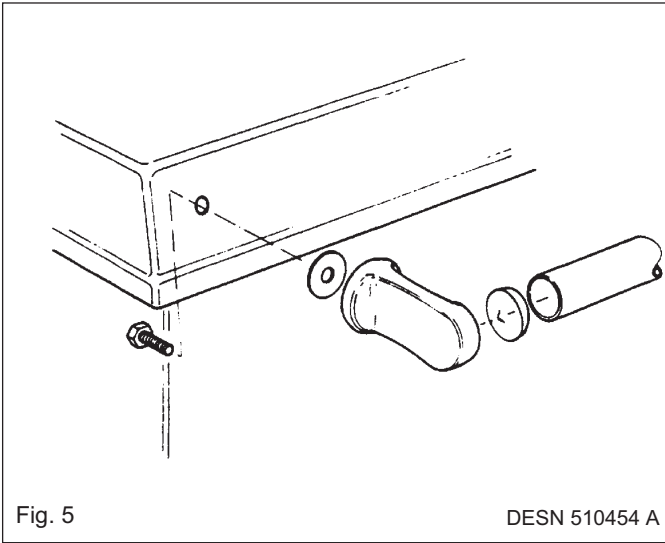
Any joints which have opened should be made good with fire cement provided.

If the appliance is installed near combustible material then as well as adhering to minimum clearances in Fig. 1 additional non-combustible insulation must be fitted to the wall to protect the area around the flue and fluebox. The insulation must reach a minimum distance of 150mm either side of the flue/fluebox and follow the line of the flue. The minimum specification for this material is Superwool 607 LTI with a density of 320kg/m³, a thickness of 10mm and a self finish. There must be a minimum 16mm air gap between the insulation board and an adjacent combustible wall surface. A higher specification material maybe used but the air gap must be maintained.

Replace the hotplate making sure that it is seating evenly on the soft rope and that it is approximately 1.5mm proud of the enamelled top plate, with an equal space all round.

1. Fit the flue chamber which should have a rope seal already installed. The flue chamber is screwed to the cooker making a good seal as any air leak at this point will impede the working of the cooker.
2. Open the firebox and ashpit doors and check that the reciprocating bottomgrate bars are in position and that the 3 grate baffles are installed.

The handrail brackets are held on the front ends of the cooker top-plate casting. Remove the travel nuts and replace with the handrail brackets ensuring the fibre protecting washers are in position. Insert the handrail with fitted endcaps into the brackets, positioning them correctly, and tighten the locating bolts (Fig. 8).



TESTING AND COMMISSIONING

After completing the installation, the Heating Contractor should demonstrate to the user, the operation of the appliance and the routine cleaning method.

When lighting, pull the flue chamber damper open to maximum, add paper and sticks with a small quantity of fuel through fuelling aperture onto bottomgrate and close the firebox door. Ensure the grate plates are in position.

Open ashpit door, ignite fuel and close ashpit door when fuel is well alight. Set spinwheel on ashpit door to required setting.

Allow the cooker to heat up gradually at first time lighting.

NOTE: SMOKE/SMELL EMITTED DURING INITIAL USAGE

Some parts of the cooker have been coated with a light covering of protective oil. During initial operation of the cooker, this may cause smoke/smell to be emitted and is normal and not a fault with the appliance, it is therefore advisable to open doors and or windows to allow for ventilation. Lift the lids to prevent staining the linings.

For further advice or information contact your
local distributor/stockist

With AGA-Rangemaster's policy of continuous
product improvement, the Company reserves the
right to change specifications and make
modifications to the appliance described at any
time.



from The word "from" is followed by the AGA logo, which consists of the letters "AGA" in a white, sans-serif font inside a black, horizontally-oriented oval with a metallic, beveled appearance.

Manufactured by
AGA-Rangemaster
Station Road
Ketley Telford
Shropshire TF1 5AQ
England

www.rayburn-web.co.uk
www.agaliving.com
www.agacookshop.co.uk