

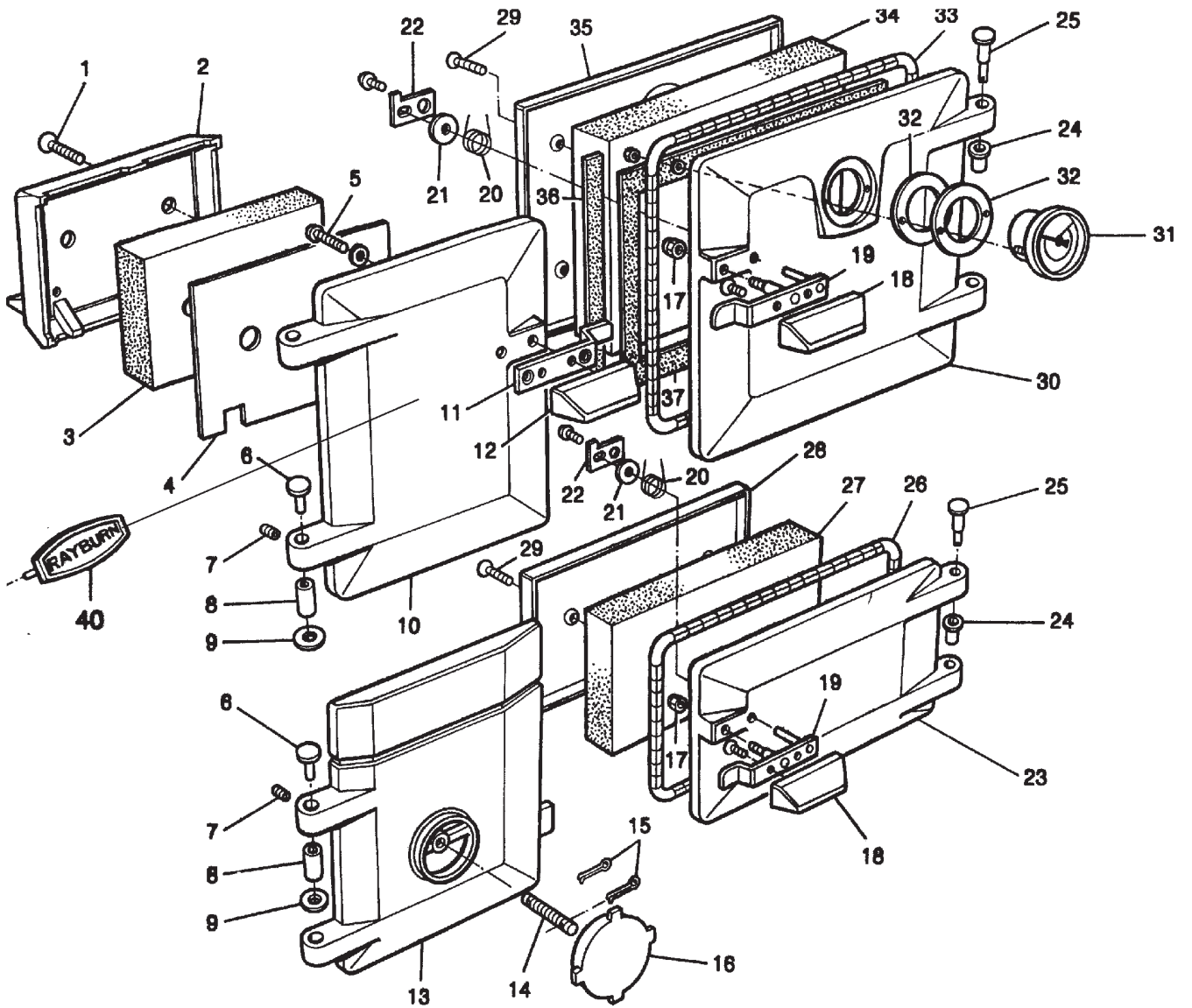
RAYBURN 216 SFW COOKER

SPARE PARTS MANUAL

**RAYBURN 216SFW COOKER
TOP/BOTTOM OVEN DOORS, FIREDOOR & ASHPIT DOOR ASSEMBLIES**

FEBRUARY 2007

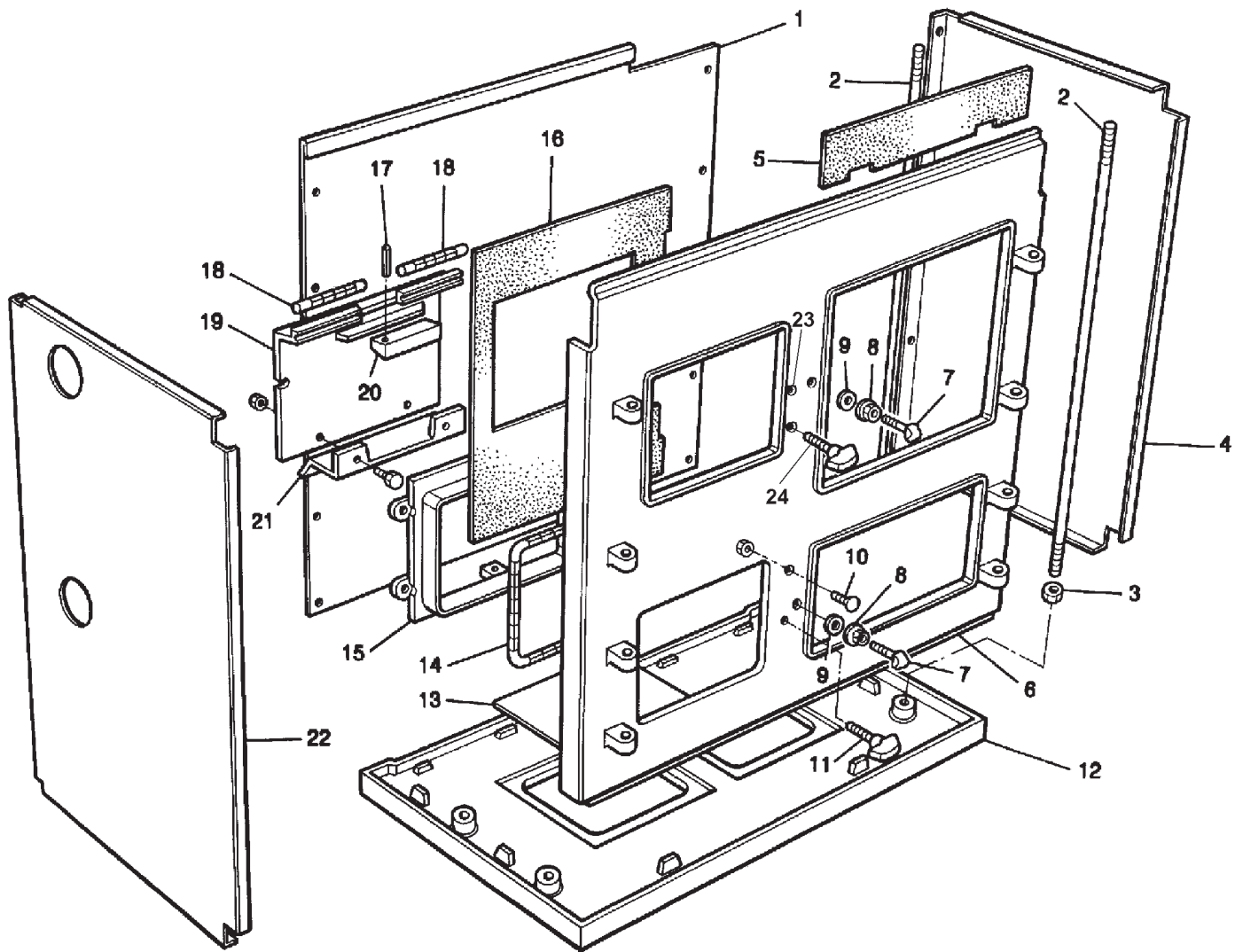
ITEM No.	CAT No.	DESCRIPTION	PRODUCT CODE
1		SCREW 5/16" BSW x 1 1/4 C/SNK HEAD	KCSK49900
2	R4829	FIREDOOR PROTECTION PLATE	RS5M22A
3		ROCKWOOL	
4	R1028	FIREDOOR HEAT SHIELD	JPAD37340
5		SCREW M5 x 25 LG HEX HD	KHEX50934
6	R4720	DOOR HINGE BUTTON - UP TO M06-051	RS4M301095
7	A2583	M6 x 6mm PATCHED PIN CUP PNT SKT GRUB	KGRB500437
8		HINGE PIN - UP TO M06-051	RS4M301104
8A	R2633	HINGE PIN - FROM M06-051	RO4M340227
9		WASHER NYLON 8 x 16 x 1mm	KWSR53500
10		FIREBOX DOOR - FROM NP05-028	RS5E300142
10A		FIREBOX DOOR - UP TO M05-144	RS5E300084
10B	R3594	FIREDOOR ASSY COMPLETE - UP TO M05-144	RS9M300084-212S
10C		FIREDOOR ASSY COMPLETE - POST M05-144	RS9M997167
11	R6481	CATCH PLATE - UP TO M05-144	RS4M301096
12	R2061	DOOR HANDLE C/W SCREWS	RS9M31530COMP
13		ASHPIT DOOR	
13A	R3595	ASHPIT DOOR COMPLETE	RS9M300086-212S
14		SEE ITEM 16	
15		SEE ITEM 16	
16	R2084	SPIN V/V C/W FIXINGS	RS9M43460COMP
17	R3417	M8 SELF LOCKING NUT	KNUT500327
18	R2636	DOOR HANDLE CATCH ASSY	RO9M340181COMP
19		INCLUDED IN ITEM 18	
20		SPRING DOOE CATCH (INCL. IN ITEM 18)	RO4M340297
21		WASHER M8 x 12 (INCL. IN ITEM 18)	KWSR53400
22		BRACKET DOOR STOP CATCH (INCL. IN ITEM 18)	RO4M340349
23	R2591	SIMMERING OVEN DOOR COMPLETE	RO9M340325COMP
24	R2759	BUSH DOOR - HINGE	RO4M340226
25	R2633	HINGE PIN	RO4M340227
26	R2641	SEAL BOTTOM OVEN DOOR	JMAR340256
27	R2975	PAD INSULATION - SIMMERING OVEN DOOR	JPAD340466
28	R2974	BOTTOM OVEN DOOR LINING PANEL	RG2M313313
29		M6 x 25 LG C/SNK HEAD SCREW	KCSK500302
30	R3593	TOP OVEN DOOR COMPLETE	RO9M340138-355S
31	R2432	THERMODIAL	RS4T301075
32	R1147	THERMODIAL SEALING RING	RG4M30412
33	R2642	SEAL TOP OVEN	JMAR340255
34	R2986	INSULATION PAD	JPAD340465
35	R2985	TOP OVEN DOOR LINING	RO2M313325
36	R2642	TAPE - DOOR	JMAR340255
37		GASKET - TOP OVEN DOOR	JGSG341290
38	R5290	BADGE - FROM NP05-028	RO4M343291



**RAYBURN 216 SFW COOKER
TOP/BOTTOM OVEN DOORS, FIREDOOR & ASHPIT DOOR
ASSEMBLY**

RAYBURN 216SFW COOKER **JULY 2009**
FRONT PLATE, SIDE PLATES, BACK PLATE & BASE PLATE

ITEM No.	CAT No.	DESCRIPTION	PRODUCT CODE
1	R5049	BACK PLATE	RS2M302055
2	R1760	CORNER STAY ROD	RS4M44080
3	R2309	LOCKNUT 3/8" BSW	KNUT52911
4	R1631	SIDE PLATE R/H	RS2V90005
5	R1021	TOP HEAT SHIELD	JPAD30770
6		FRONT PLATE - FROM M05-144	RS5E300137
6A		FRONT PLATE - UP TO M05-144	RS5E300073
6B	R3713	FRONT PLATE C/W DOORS 216SFW	RS9M-FP-216M
7	R2679	DOOR KEEP C/W WASHER	RO9M340185COMP
8	R2754	M8 FLANGE NUT	KNUT500260
9		SEE ITEM 7	
10		SCREW - BLANKING	
11	R5029	ASHPIT DOOR CATCH	RS4M300116
12		BASE PLATE	RG5M310096
13	R2828	BASE FILLER PIECE	RG2M310097
14		ROPE THERMOSEAL	
15	R2216	ASHPIT DOOR FRAME	RS5M2-190
16	R2272	FIREBOX HEAT SHIELD	JPAD302017
17		ROLL PIN 3/16 x 1 5/8 LG	KCTR37851
18		ROPE 7 DIA x 120mm LG	
19	R2058	SECONDARY AIR INLET SEALING PLATE COMP (INCLS ITEM 21)	RS9M-13221COMP
20	R1893	SECONDARY AIR SHUT-OFF SLIDE	RS5M4-13705
21	R1856	SECONDARY AIR SEALING PLATE FOOT	RS5M3-13761
22	R1629	LH SIDE PLATE	RS2V41954
23	R2679	DOOR KEEP C/W WASHER - UP TO M05-144	RO9M340185COMP
24	R5029	ASHPIT DOOR CATCH - FROM M05-144	RS4M300116

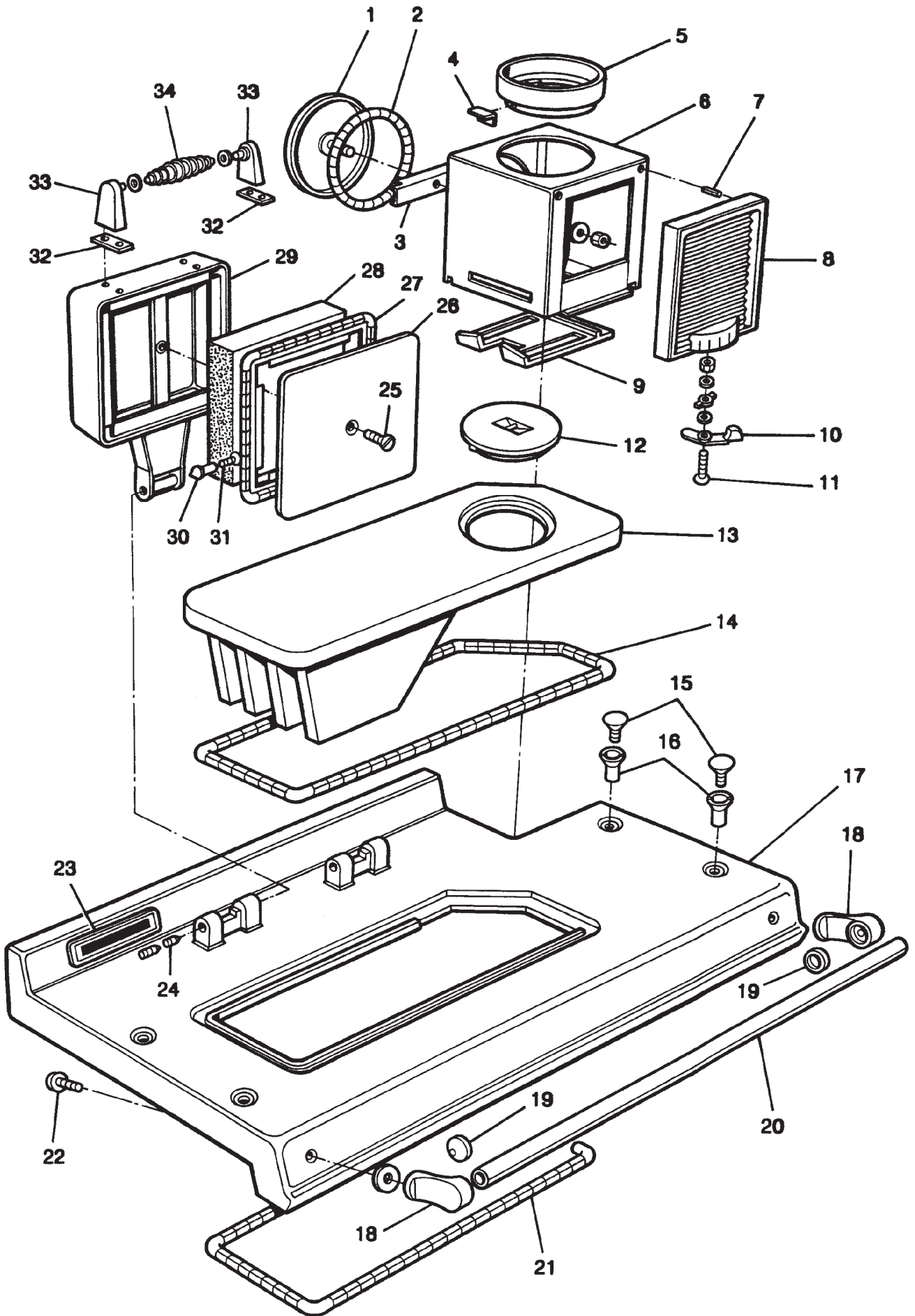


RAYBURN 216SFW COOKER
FRONT PLATE, SIDE PLATES, BACK PLATE, BASE PLATE

**RAYBURN 216SFW COOKER - UP TO M04-039
HOB PLATE, INSULATING COVERS & FLUE CHAMBER**

JUNE 2008

ITEM No.	CAT No.	DESCRIPTION	PRODUCT CODE
1	R1640	BLANKING PLATE	RS4E38766
2		ROPE SEAL	
3		BLANKING PLATE STRAP	RS2M302054
4	R2244	FLUE SOCKET FIXING BRACKET	RS2M91190
5	R1612	FLUE SOCKET	RS4M42676
6		FLUE CHAMBER ASSY	RS2E91160
7		PIN 3/16" x 1" LG	KCTR37850
8	R1785	FLUE CHAMBER DOOR	RS5E-13344
9	R1788	DAMPER BLADE	RS5M3-16874
10	R1743	FLUE CHAMBER CAM	RS4M36072
11	R5116	SCREW M5 x 30	KCSK50171
12	R1843	HOTPLATE PLUG	RS5M27-SP
13		HOTPLATE C/W PLUG	RS1M0-19780-27
14		ROPE T/SEAL No.4	
15	R1713	CORNER STAY BUTTON	RS4M24420
16	R1066	CORNER STAY NUT	KNUT53090
17	R2410	HOB PLATE	RG5E300040
18	A2314	HANDRAIL BRACKET	AG4M210853
19	A2975	HANDRAIL END CAP	AG4M210660
20	R1724	HANDRAIL	RG4M312141
21		ROPE SEAL	
22	R3689	SCREW M8 x 16	KHEX500026
23		COOKER MODEL BADGE	RS4M302050
24		GRUB SCREW M10 x 10	KGRB500165
24A	R2451	GRUB SCREW M10 x 16mm	KGRB500255
25		1/4" x 1 13/16" LG - SCREW C/SNK	KCSK50372
26	R1639	LINING COVER PLATE	RG2E310200
27	R1020	ROPE SEAL	JMAR20555
28		ROCKWOOL INSULATION	
29		INSULATING COVER ASSY	RG1M312012
30	R2349	PIVOT BRG	RS4M301041
31		BEARING PIN	
32	R3018	WASHER SEALING - HANDLE	KWSR53508
33	R1711	HANDLE BRACKET	RS4M23090
34	R2176	COIL HANDLE	RG4M310136

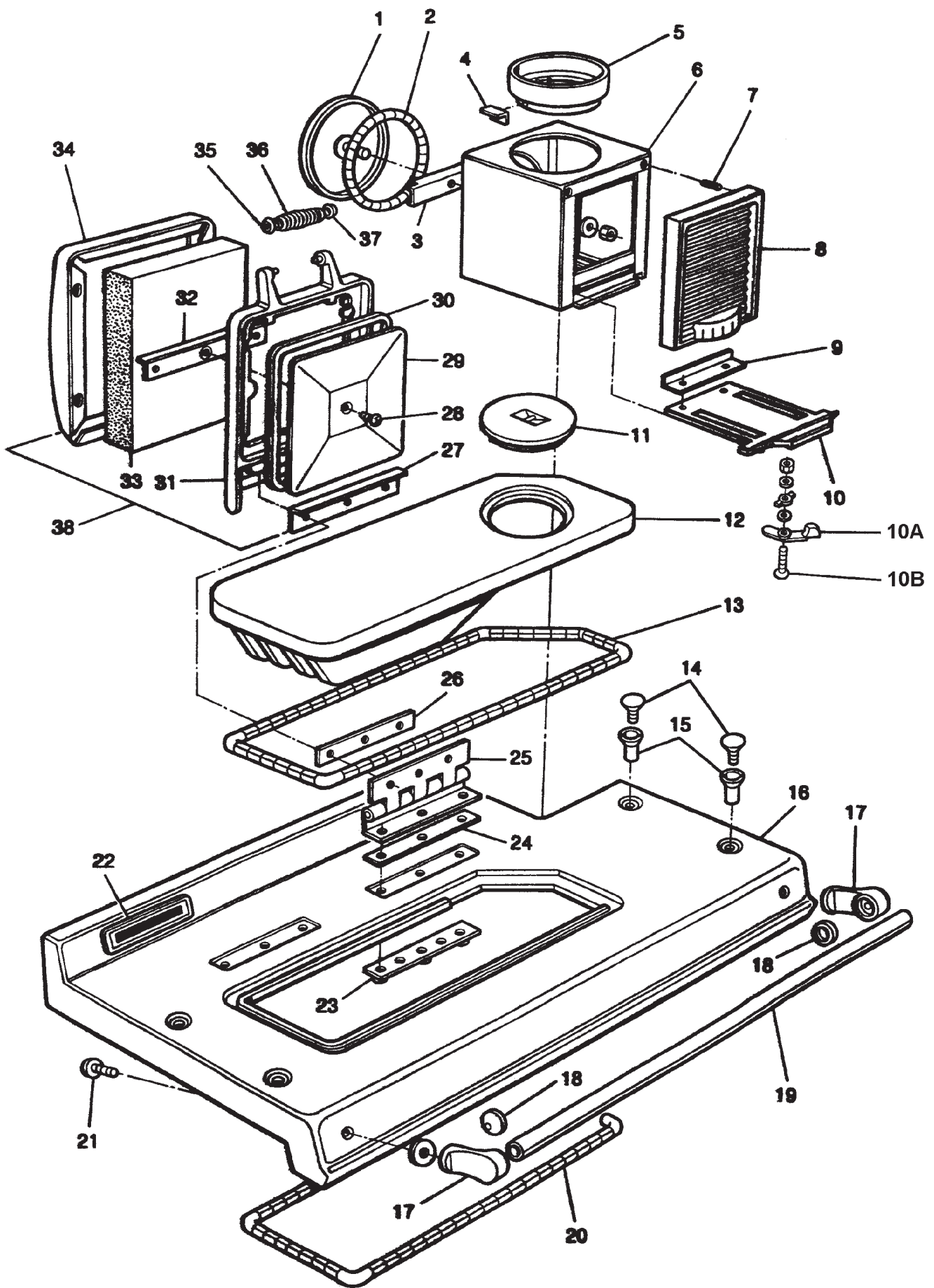


**RAYBURN 216SFW COOKER - UP TO M04-039
HOB PLATE, INSULATING COVERS & FLUE CHAMBER**

**RAYBURN 216SFW COOKER - FROM M04-039
HOB PLATE, INSULATING COVERS & FLUE CHAMBER**

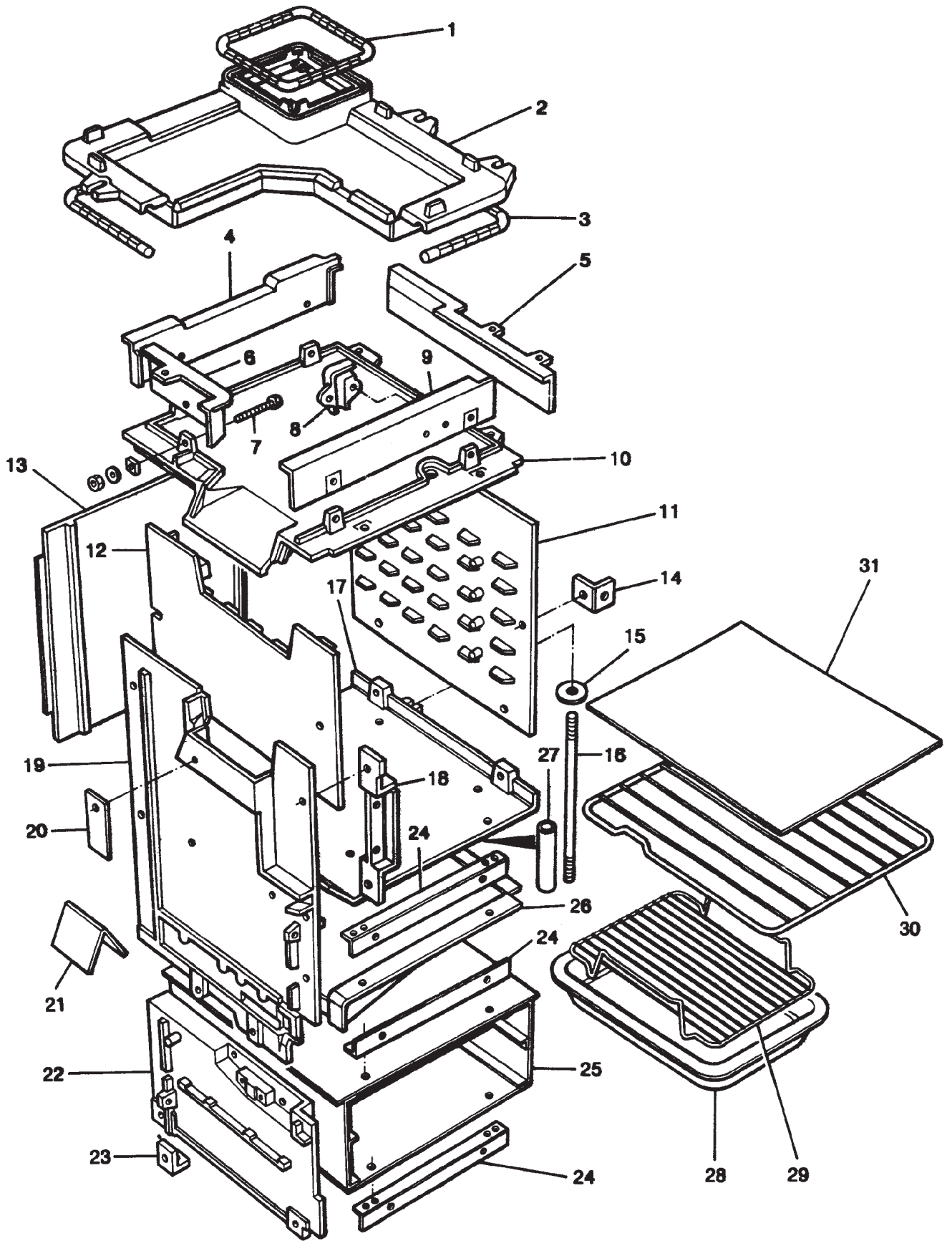
NOVEMBER 2007

ITEM No.	CAT No.	DESCRIPTION	PRODUCT CODE
1	R1640	BLANKING PLATE	RS4E38766
2		ROPE SEAL	
3		BLANKING STRAP	RS2M302054
4	R2244	FLUE SOCKET FIXING BRACKET	RS2M91190
5	R1612	FLUE SOCKET	RS4M42676
6	R5131	FLUE CHAMBER ASSEMBLY	RS4M300107
7	H1723	PIN ³ / ₁₆ " x 1" LG	KCTR37850
8	R1785	FLUE CHAMBER DOOR	RS5E-13344
9	R5173	STOP BRACKET	RS2M300115
10	R5153	DAMPER BLADE	RS5E300113
10A	R1743	FLUE CHAMBER CAM	RS4M36072
10B	R5116	M5 x 30 C/SNK	KCSK50171
11	R1843	HOTPLATE PLUG	RS5M27-SP
12		HOTPLATE C/W PLUG	RS1M0-19780-27
13		ROPE T/SEAL No. 4	
14	R1713	CORNER STAY BUTTON	RS4M24420
15	R1066	CORNER STAY NUT	KNUT53090
16	R4530	HOB PLATE	RS5E300105
17	A2314	HANDRAIL BRACKET	AG4M210853
18	A2975	END CAP	AG4M210660
19	R1724	HANDRAIL	RG2M312141
20		ROPE SEAL	
21	R3689	SCREW M8 x 16	KHEX500026
22		COOKER MODEL BADGE - UP TO NP05-028	RS4M302050
23	R4722	TAPPING PLATE	RO2M342370
24		HINGE GASKET	JGSG342369
25	R4563	HINGE	RO4M342364
26	R4980	HINGE GASKET TOP	JGSG342404
27	R4564	HINGE COVER	RO2M342387
28		SCREW ¹ / ₄ " x 1 ¹³ / ₁₆ " RSD CSK CP	KRCK50372
29	R1614	LINING PANEL	RO2E340773
30	R3457	SEAL INSULATING LID	JMAR340790
31	R4565	INSULATING COVER BASE	RO5E342348
32	R5167	STRAP - LID CENTRE FIXING	RO2M342362
33	R2767	PAD - COVER INSULATION	JPAD340307
34	R4566	INSULATING COVER	RO2M342347
35	R4863	COIL HANDLE CUP SET 4	RO9M340521SET4
36	R3028	COIL HANDLE	RO4M340522
38	R4567	INSULATING COVER ASSEMBLY	RG1M313527



**RAYBURN 216SFW COOKER - FROM M04-039
HOB PLATE, INSULATING COVERS & FLUE CHAMBER**

ITEM No.	CAT No.	DESCRIPTION	PRODUCT CODE
1		ROPE	
2	R1806	HOB PROTECTOR PLATE	RS5M0-19753
3		ROPE THERMOSEAL	
4	R1868	OVEN TOP BACK FLUE PLATE	RS5M31B1
5	R1844	OVEN TOP RH - FLUE PLATE	RS5M28B
6	R1845	OVEN TOP LH FLUE PLATE	RS5M29B
7		SCREW 1/4" BSW	KCSK49780
8		RH TOP VENT	RS5O103
9	R2672	FRONT FLUE FEATHER	RS5M300017
10	R1914	OVEN TOP PLATE	RS5O6B-RH
11		OVEN RH FIXED SIDE PLATE	RS507-RH
12	R4128	OVEN LH REMOVABLE SIDE PLATE	RG5M341249
13	R3853	OVEN BACK PLATE	RO5M342081
14	R2793	TOP OVEN SIDE FIXING BRACKET	RS2M93013
15		WASHER	
16	R1761	OVEN STAY ROD	RS4M44111
17	R2597	OVEN BOTTOM PLATE	RS5O300015
18	R2794	OVEN RETAINING BRACKET	RS2M301068
19	R2632	FIREBOX RH SIDE	RS5M300019
20	R2311	FIREBRICK RETAINING PLATE	RS4M39004
21	R2449	SUPPORT FOR WARMING OVEN	RS2M90115
22	R1808	ASHPIT RH SIDE PLATE	RS5M1-13322
23	R2690	BASEPLATE BRACKET	RG2M311231
23A		BASEPLATE BRACKET	RO2M323116
24	R2794	OVEN RETAINING BRACKET	RS2M301068
25	R4002	WARMING OVEN ASSY	RS1M301117
26	R2819	OVEN RELFLECTOR DUCT ASSY	RG1M310012
27	R2701	WARMING OVEN VENT PIPE	RS2M91495
28	R4061	MEAT TIN	EMTY530219
29	R2571	GRILL RACK	RS4M311164
30	R2573	OVEN GRID SHELF	RS4M300070
31	R1618	PLAIN OVEN SHELF	RO2M340757

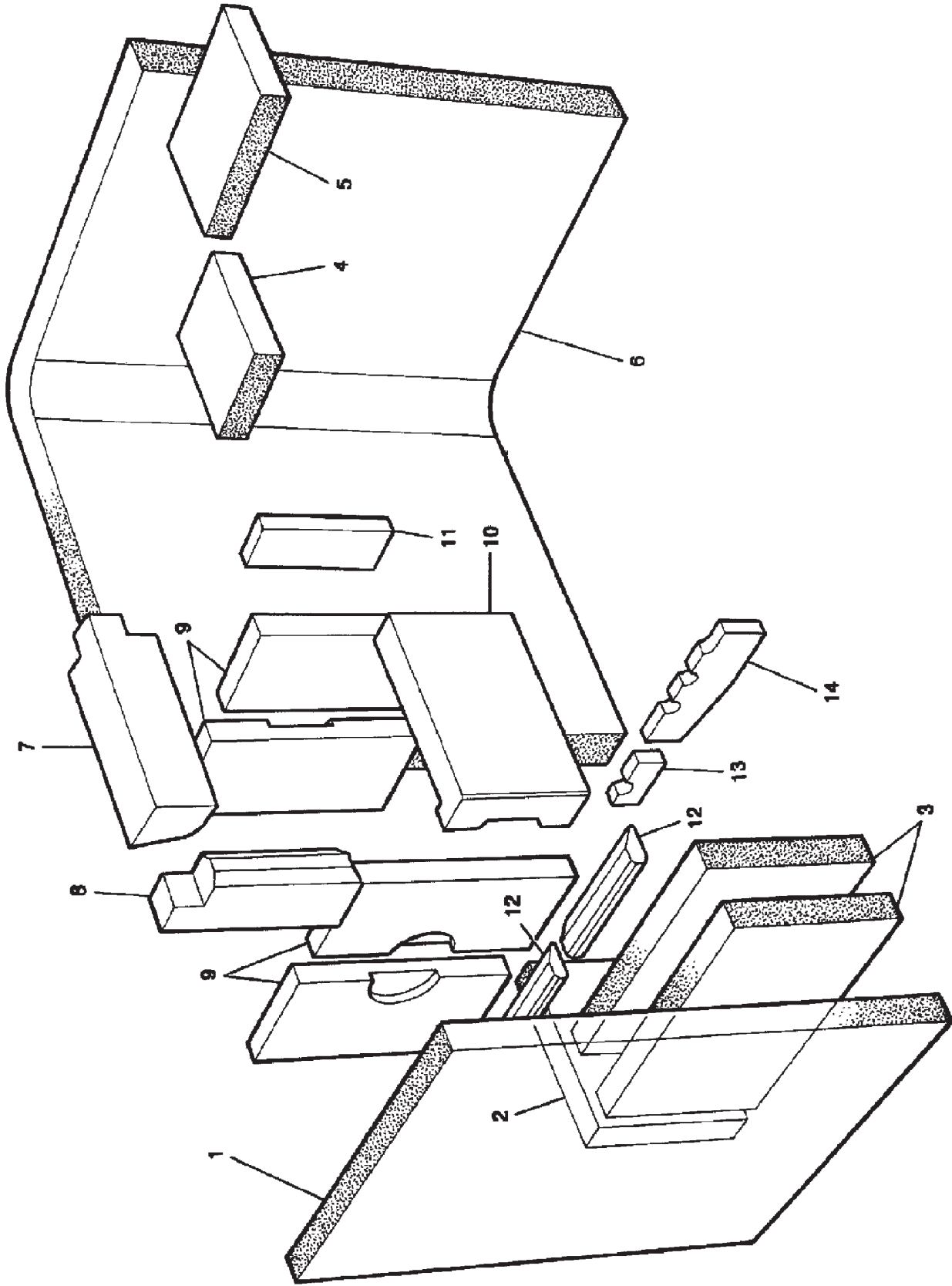


**RAYBURN 216SFW COOKER
HOB PROTECTOR PLATE, TOP OVEN & WARMING OVEN**

RAYBURN 216SFW COOKER
FIREBRICKS & INSULATION

OCTOBER 2003

ITEM No.	CAT No.	DESCRIPTION	PRODUCT CODE
1 TO 6		<u>INSULATION PACK CONTAINING ITEMS 1 TO 6</u>	MRWF300093
7	R1675	TOP FRONT FIREBRICK	RS4F302005
8	R1677	TOP SIDE - BLR	RS4F302007
9	R1674	FIREBRICK SIDE	RS4F302004
10	R1673	FIREBRICK FRONT	RS4F302003
11	R1671	FIREBRICK SIDE TOP FIREBOX	RS4F302001
12	R1670	BOILER BOTTOM FIREBRICK	RS4F302000
13	R1672	FIREBOX RH SIDE	RS4F302002
14	R1676	FIREBRICK F/BOX R/SIDE	RS4F302006

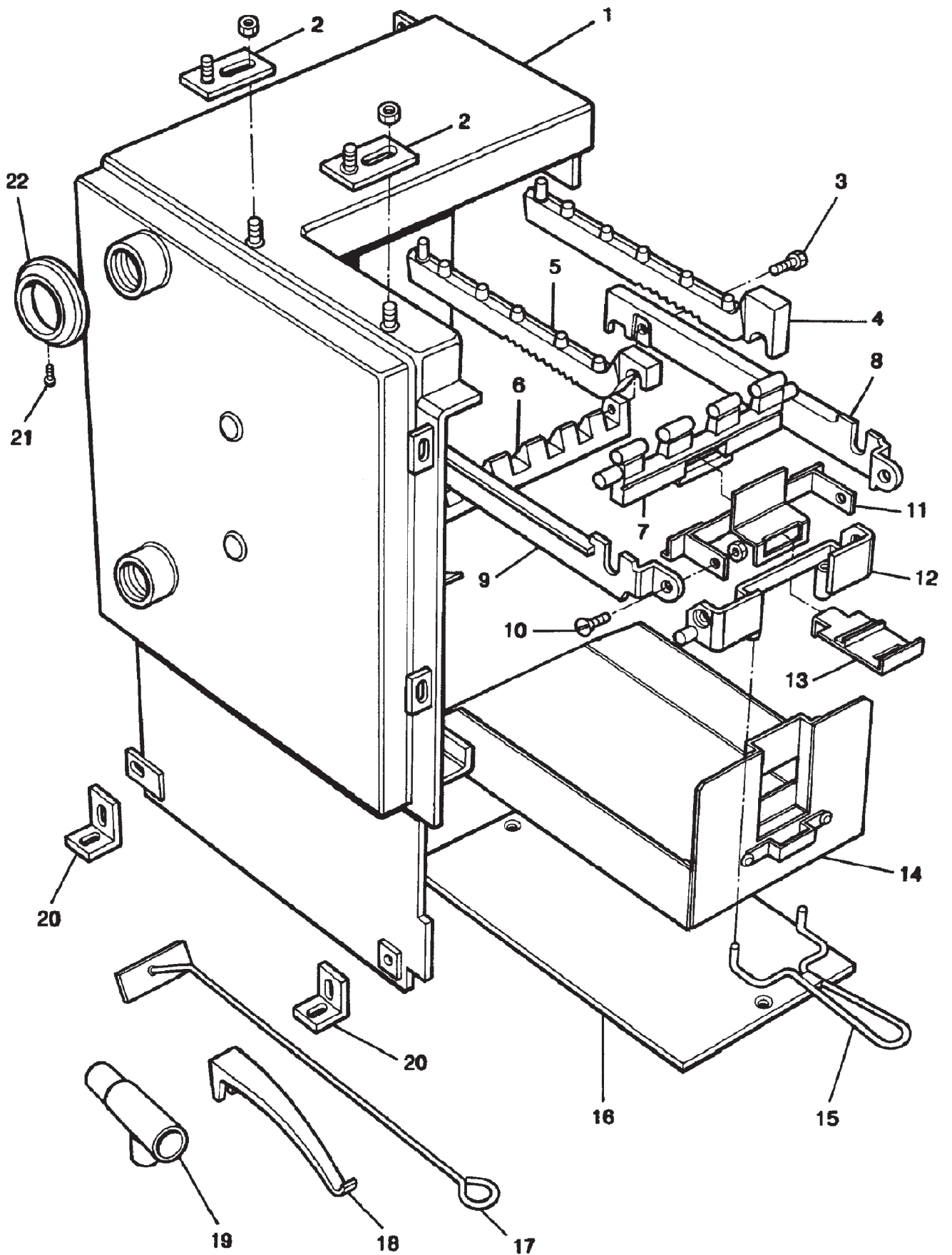


**RAYBURN 216SFW
FIREBRICKS AND INSULATION**

**RAYBURN 216SFW COOKER
BOILER, DAMPERS, GRATE & RIDDLING ASSEMBLIES**

OCTOBER 2003

ITEM No.	CAT No.	DESCRIPTION	PRODUCT CODE
1	R3013	BOILER BODY	RS2V302047
2		HOB FIXING BRACKET	RS1M302018
3		SCREW - 5/16" BSW HEX HEAD 1/2" LG	KHEX50945
4	R1707	FIREBAR - BTM	RS4M22094
5	R1706	FIREBAR - TOP	RS4M22093
6	R1847	BOTTOMGRATE SPACER	RS5M3-13620
7	R2317	ROCKER BAR	RS5M3-13670-NP
8	R1850	BOTTOMGRATE FRAME RH SIDE	RS5M3-13673R
9	R1849	BOTTOMGRATE FRAME LH SIDE	RS5M3-13673L
10		SCREW 5/16" BSW C/SNK HD x 3/4" LONG	
11	R1763	RIDDLING LEVER SUPPORT	RS4M44752
12	R1712	BOTTOMGRATE FRAME FRONT	RS4M23164
13	R1735	CENTRAL PULL LEVER	RS4M34646
14	R1598	ASHPAN	RS1M91095
15	R1765	GRATE LOWERING TOOL	RS4M47468
16	R1846	ASHPIT BASE	RS5M3-13026
17		RAKER	RS4M40573
18	R1900	RIDDLING ASHPAN & PLUG LIFTING TOOL	RS5M61B
19	R1213	INJECTOR TEE	RG4M45480
20		BASEPLATE BRACKET	
21		SCREW 3/16" BSW x 1/2" LG ROUND HEAD	KRDH51500
22	R2070	FLOW AND RETURN PIPE COLLARS - PAN	RS9M39PR



**RAYBURN 216SFW COOKER
BOILER, DAMPERS, GRATE AND RIDDLING ASSEMBLIES**