

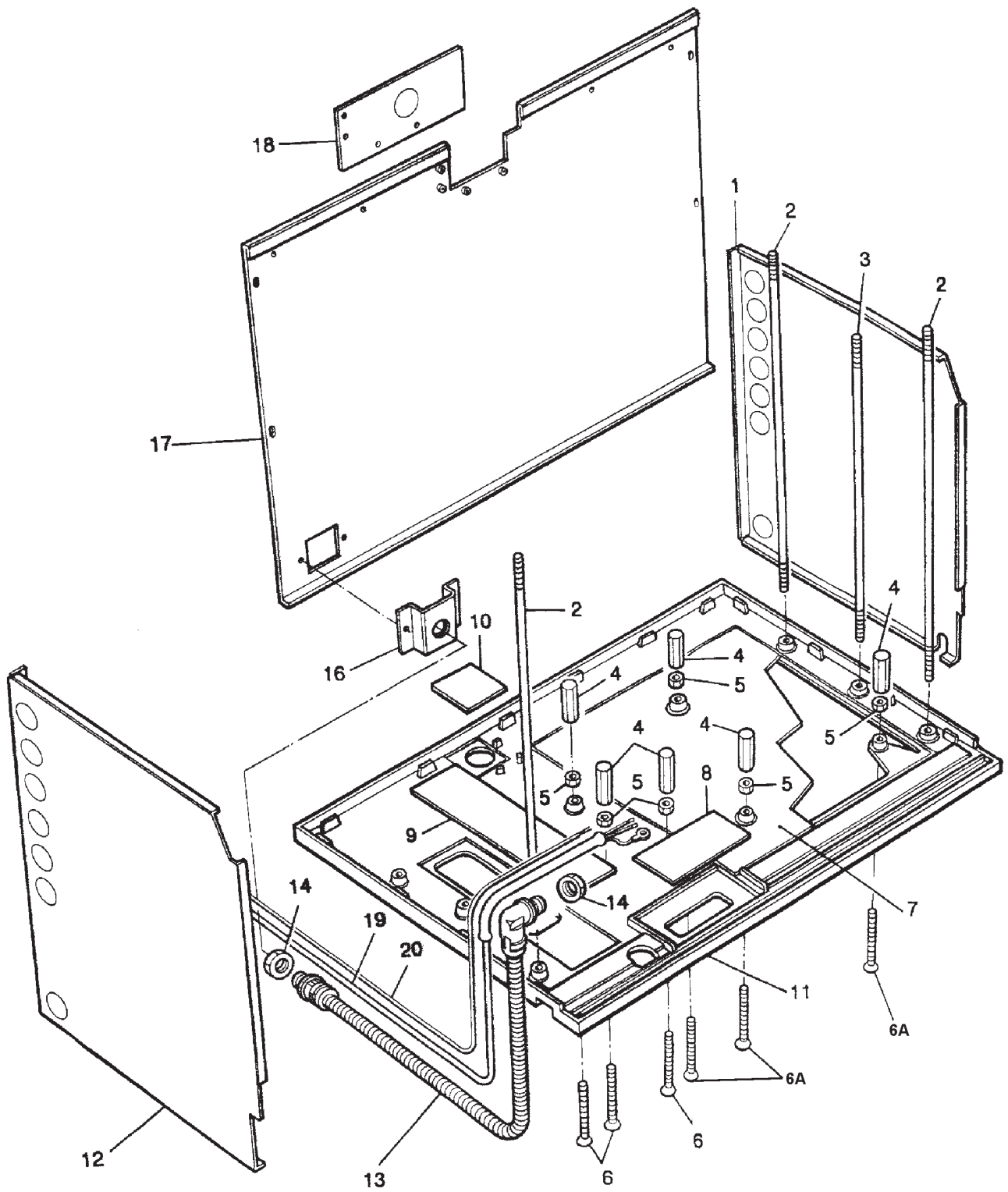
**AGA ELECTRIC
EC3 (LM) 13 AMP
COOKER**

***SPARE PARTS
MANUAL***

**AGA EC3 (LM) 13 AMP COOKER
BASE, SIDES AND BACK PLATE**

MARCH 2006

| ITEM No. | CAT No. | DESCRIPTION | PRODUCT CODE |
|-----------------|----------------|--------------------------------------|---------------------|
| 1 | A2983 | RH SIDE PLATE | AG2V210346 |
| 2 | A2118 | CORNER STAY ROD | AG4M210226 |
| 3 | A2122 | OVEN STAY ROD - TOP | AG4M210229 |
| 4 | | BURNER CHAMBER SUPPORT STUD ADJUSTER | AO4M220259 |
| 5 | R5022 | M12 HEX FULL NUT | KNUT53135 |
| 6 | | M12 C/SNK SCREW x 50mm (3-OFF) | KCSK500497 |
| 6A | | M12 C/SNK SCREW x 100mm (3-OFF) | KCSK500492 |
| 7 | A2373 | FILLER PIECE | AO2M210194 |
| 8 | | SMALL FILLER PIECE | AS2M90080R |
| 9 | A2374 | RH BASE FILLER PLATE | AO2V210306 |
| 10 | A3544 | FLUE OUTLET BLANKING PLATE | AG2M210568 |
| 12 | A2982 | LH SIDE PLATE | AG2V210345 |
| 13 | | CABLE GUIDE TUBE ASSY | AE1M230754 |
| 14 | | PART OF ITEM 13 | |
| 16 | | CABLE GUIDE TUBE BRACKET | AE2M230612 |
| 17 | | BACK PLATE | AE2M230500 |
| 18 | | BLANKING PLATE BACK PANEL | AE2M230593 |
| 19 | | MAINS CABLE | AE4M230802 |
| 20 | A4840 | MAINS LEAD ELEC. OVEN VENT | AE4M230380 |

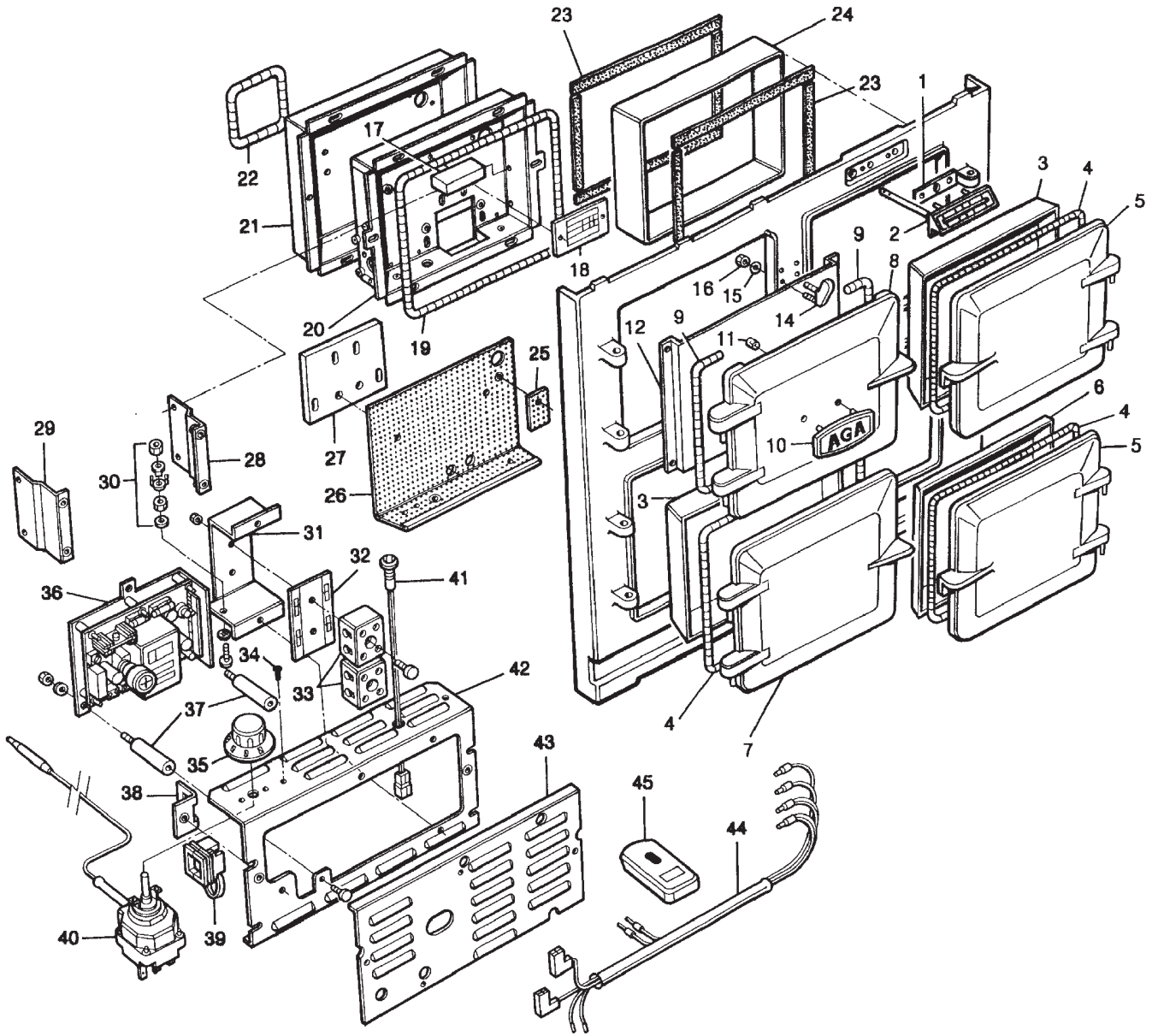


AGA EC3(LM) 13 AMP COOKER
BASE, SIDES AND BACKPLATE

**AGA EC3 (LM) 13 AMP COOKER
FRONT PLATE & DOORS**

MAY 2006

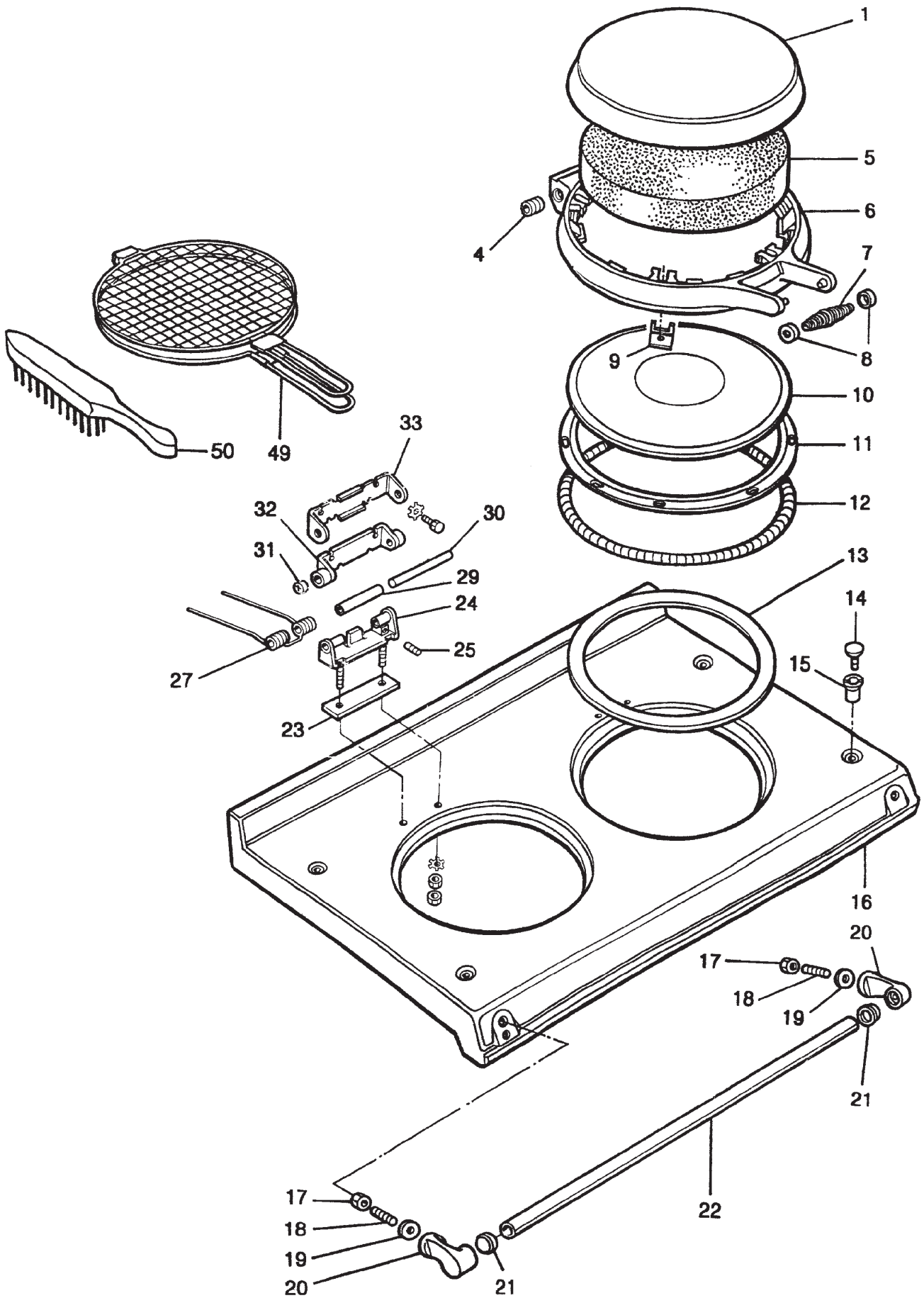
| ITEM No. | CAT No. | DESCRIPTION | PRODUCT CODE |
|-----------------|----------------|---|---------------------|
| 1 | A2115 | THERMOMETER RETAINING PLATE | AO9M220004COMP |
| 2 | A1518 | THERMOMETER | AO4T46210 |
| 3 | A1482 | COVER INSULATION | AO2M90347 |
| 4 | A3935 | ROPE T/SEAL - BLACK (TOP DOOR) | JTHR210937X1230 |
| | A3936 | ROPE T/SEAL - BLACK (BOTTOM DOOR) | JTHR210937X1205 |
| 5 | A3502 | OVEN DOOR - OVEN DOOR - RH | AO5E220251 |
| 6 | A1482 | COVER INSULATION | AO2M90347 |
| 7 | A1671 | DOOR | AS5E1-9285L |
| 7A | A4182 | OVEN DOOR COMPLETE - LH | AG9M998850 |
| 8 | A4183 | BURNER DOOR - COMP | AG9M998851 |
| 9 | | BLACK ROPE TH No.4 x 290 LG | JTHR210937X290 |
| 10 | A2274 | NAME BADGE | AG4M210184 |
| 11 | A1567 | PUSH ON FIXING (PAIR) | AO9M38850PR |
| 12 | A4857 | WIRING LABEL - UP TO M05-210 'A' | AE4M230771 |
| 12 | A4859 | CONTROL DOOR LINING PANEL - FROM M05-210'A' | AE2M230787 |
| 13 | | FRONT PLATE | AG5E211060 |
| 13A | A4194 | FRONT PLATE COMPLETE | AG1M211332 |
| 14 | A3956 | DOOR CATCH | AG4M250478P |
| 15 | | DOOR CATCH GASKET | JGSG211270 |
| 16 | | LOCKING NUT | KNUT500485 |
| 17 | | CONTROL HOUSING FILLER PAD | JPAD230768 |
| 18 | | DATA PLATE | AE2M230772 |
| 19 | | ROPE SEAL | |
| 20 | | CONTROL BOX MOUNTING ASSY | AE1M230711 |
| 21 | | CONTROL HOUSING SHIELD | AE4M230739 |
| 22 | | ROPE SEAL | |
| 23 | | PYROTAPE | |
| 24 | | OVEN INSULATING FRAME ASSY | AG1M210308 |
| 25 | | STAT PHIAL BLANKING PLATE | AE2M230731 |
| 26 | | CONTROL MOUNTING BOX BAFFLE | AE2M230713 |
| 27 | | INSULATION GASKET - TUNNEL | JGSG230707 |
| 28 | | FRONT PLATE BRACKET - RIGHT | AE2M230709 |
| 29 | | FRONT PLATE BRACKET - LEFT | AE2M230745 |
| 30 | | EARTH POST | |
| 31 | | TERMINAL BLOCK BRACKET | AE2M230749 |
| 32 | | LABEL - TERMINAL BLOCK | AE4M230755 |
| 33 | | 2-WAY TERMINAL BLOCK | AE4M45679 |
| 34 | | THERMOSTAT KNOB MARKER | |
| 35 | | CONTROL KNOB THERMOSTAT | AE4M230608 |
| 36 | | OVEN VENT CONTROLLER | AE4M230530 |
| 37 | | SPACER CONTROLLER - FIXING | AE4M230784 |
| 38 | | CABLE CLAMP BRACKET | AE2M230757 |
| 39 | | CABLE CLAMP | AE4M230764 |
| 40 | | OVEN THERMOSTAT | AE4T230591 |
| 41 | | LED C/W 300mm LEAD | AE4M230670 |
| 42 | | HOUSING FRONT PANEL | AE2M230746 |
| 43 | | FRONT PANEL COVER | AE2M230748 |
| 44 | | WIRING HARNESS | |
| 45 | A4764 | HAND CONTROLLER | AE4M997028 |



AGA EC3 (LM) 13 AMP COOKER
FRONT PLATE & DOORS

AGA EC3 (LM) 13 AMP COOKER JUNE 2007
TOP PLATE, INSULATING LIDS, SHROUD, WIRING ASSY

| ITEM No. | CAT No. | DESCRIPTION | PRODUCT CODE |
|----------|---------|---|--------------|
| 1 | A3614 | ST/STEEL INSULATING LID COVER | AG4M210905 |
| | | INSULATING LID CI (NOT SHOWN) | AG5E211528 |
| | | STEEL DOME ASSY - COMPLETE | AG1M211766 |
| 4 | | M12 x 16 GRUB SCREW | KGRB500520 |
| 5 | A5074 | ROCKWOOL FIBRE | JPAD211934 |
| 6 | | INSULATING LID OUTER RING | AG5E211310 |
| 7 | R3028 | COIL HANDLE | RO4M340522 |
| 8 | R3029 | INSULATING LID HANDLES CUPS | RO4M340521 |
| 9 | A3636 | DOME CLAMPING BRACKETS ST/ST LIDS ONLY | AG4M210904 |
| 10 | A1632 | INSULATING LID LINING RH | AS4M34760 |
| 11 | A1647 | INNER HOLDING RING | AS4M40980 |
| 12 | A1863 | DOME SEALING ROPE | JMAR20410 |
| 13 | A1342 | INSULATING RING | AG5M210840 |
| 14 | A2119 | CORNER STAY BUTTON - BSW | AG4M210228 |
| 15 | A2123 | CORNER STAY NUT 5/16" BSW | AG4M210244 |
| 16 | A3510 | TOP PLATE | AG5E210303 |
| 17 | R2630 | NUT M8 x 35 LG | KNUT53061 |
| 18 | | ALLTHREAD M8 x 35 LG | KSTD500010 |
| 19 | | WASHER M8 ID S/PROOF ST/ST | KWSR53346 |
| 20 | A2314 | HANDRAIL BRACKET | AG4M210853 |
| 21 | A2975 | VINYL END CAP | AG4M210660 |
| 22 | A1630 | HANDRAIL | AG4M210642 |
| 23 | A2589 | HINGE BLOCK GASKET | JGSG210477 |
| 23A | | GASKET HINGE BLOCK - VE LIDS (FROM M06-170) | JGSG211914 |
| 24 | | HINGE ASSY WITHOUT SPRING | AG4M211742 |
| 24A | | HINGE ASSY WITH SPRING - VE (UP TO M06-170) | AG4M211743 |
| 24B | | HINGE ASSY - VE LIDS (FROM M06-170) | AG4M211921 |
| 25 | | SCREW M5 x 16 LG GRUB | KHEX500521 |
| 27 | A3646 | SPRING (PART OF ITEM 24A) | AG4M210774 |
| 29 | | SPINDLE SLEEVE (PART OF 24 & 24A) | AG4M997030 |
| 30 | | PART OF ITEM 24 & 24A | |
| 31 | | ADJUSTER (PART OF 24 & 24A) | AG4M997031 |
| 32 | | PART OF ITEM 24 & 24A | |
| 33 | | PART OF ITEM 24 & 24A | |
| 49 | A1843 | TOASTER | EACS47380 |
| 50 | A1841 | WIRE BRUSH | EACS23230 |

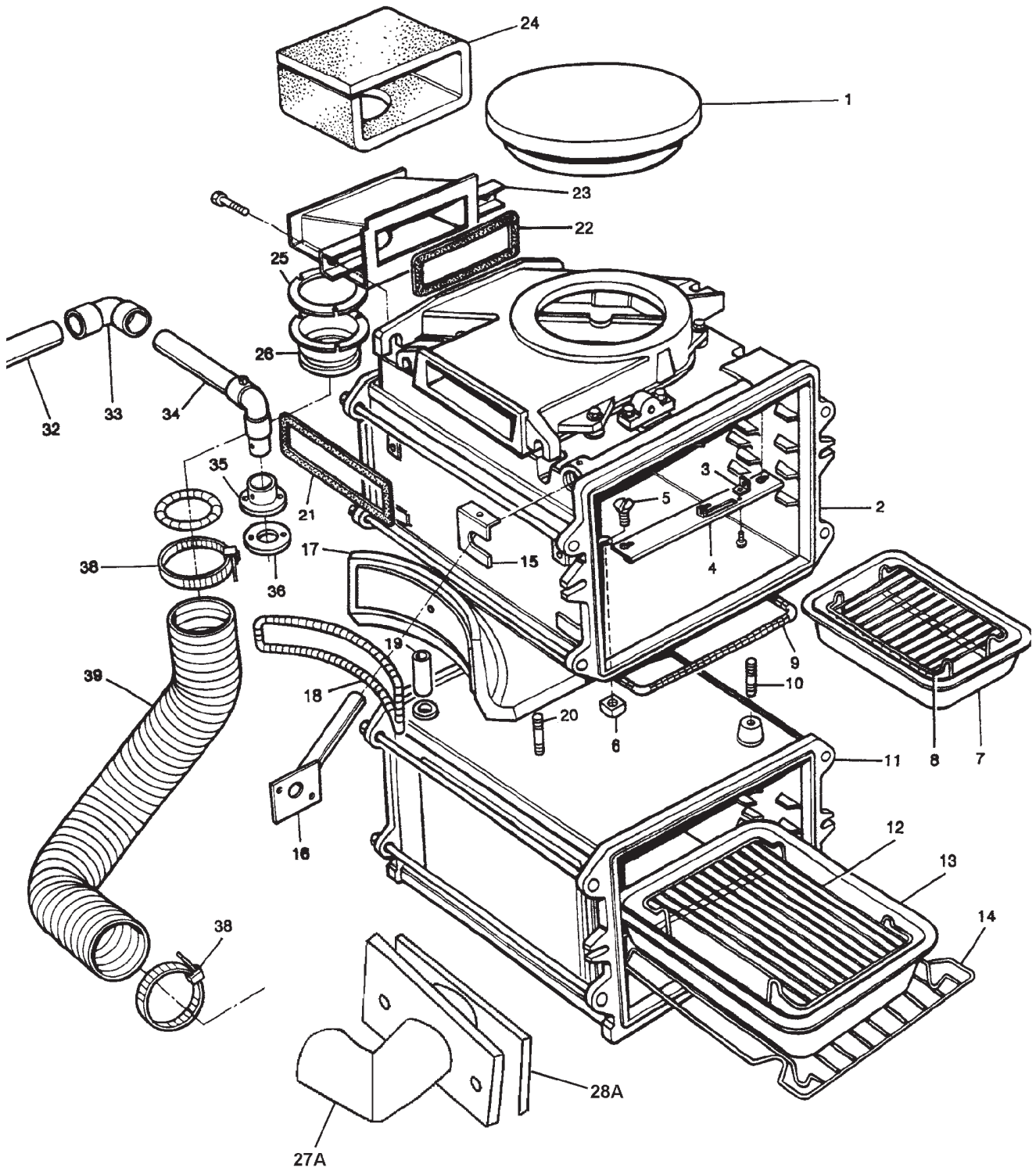


AGA EC3 (LM) 13 AMP COOKER
 TOP PLATE, INSULATING LIDS, SHROUD, WIRING ASSY

**AGA EC3 (LM) 13 AMP COOKER
ROASTING OVEN & SIMMERING OVEN**

DECEMBER 2008

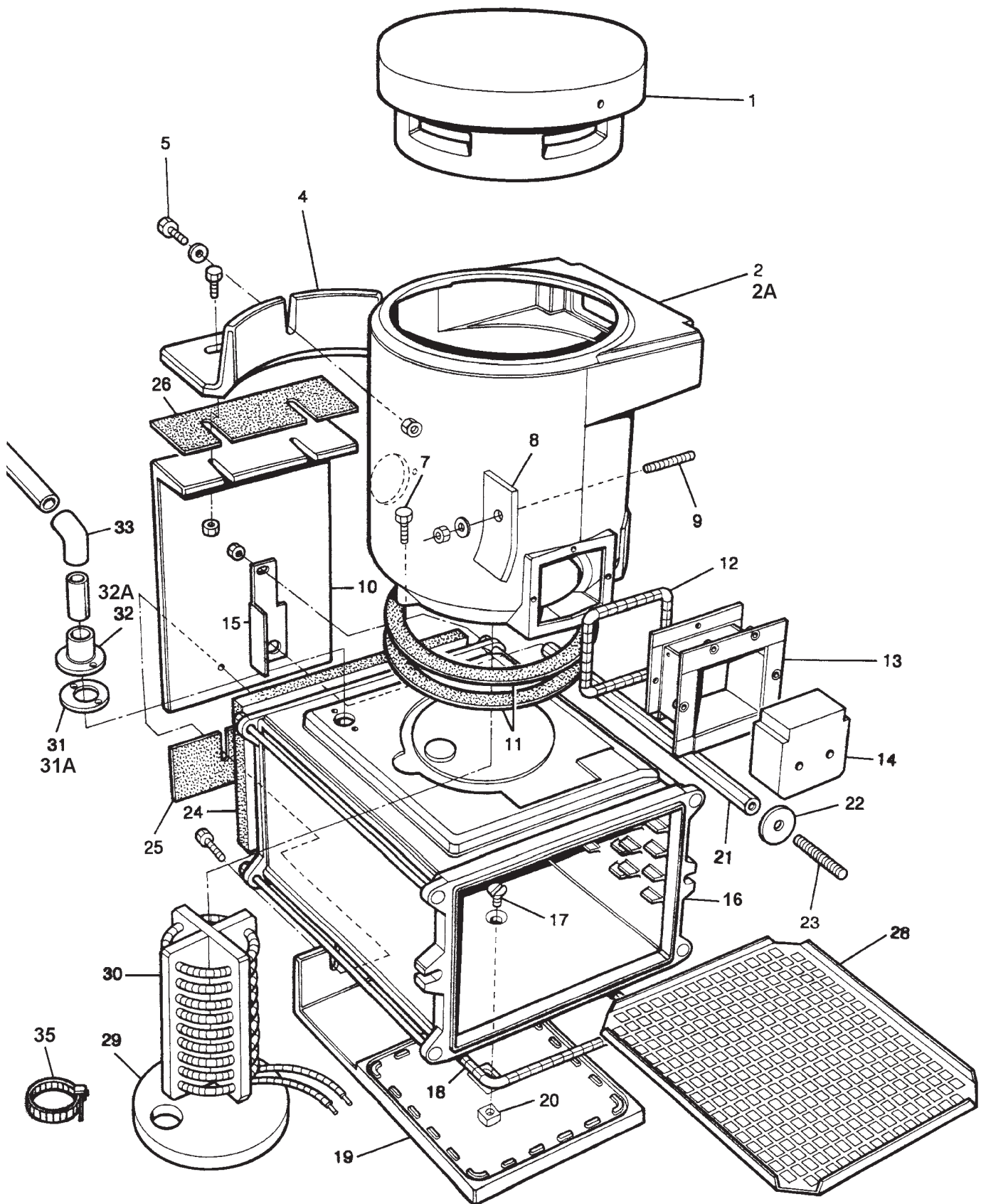
| ITEM No. | CAT No. | DESCRIPTION | PRODUCT CODE |
|----------|---------|--|--------------|
| 1 | A1527 | SIMMERING PLATE | AO4M2-695 |
| 2 | A1195 | ROASTING OVEN ASSY | RO-BF1 |
| 3 | A3739 | PHIAL SECURING ANGLE | AO2M220147 |
| 4 | | CONTROL PHIAL SUPPORT PLATE | AO1M220145 |
| 5 | | SCREW M12 x 30 LG | |
| 6 | | NUT M12 SQUARE | |
| 7 | A3284 | ROASTING TIN - SMALL | EMTY530217 |
| 8 | A2312 | GRILL RACK - SMALL | AG4M210269 |
| 9 | A2961 | SEALING ROPE 9mm x 1110 LG | JTHR220116 |
| 10 | | SCREW M12 x 40mm CUP PNT SKT HD | KGRB500338 |
| 11 | A1476 | SIMMERING OVEN ASSY | AG1M-SO-NF |
| 12 | A2313 | GRILL RACK - LARGE | AG4M210268 |
| 13 | A3285 | ROASTING TIN - LARGE | EMTY530218 |
| 14 | A1282 | OVEN GRID SHELF | AG4M41621 |
| 15 | | PHIAL GUIDE TUBE LOCATION BRACKET | AG2M211287 |
| 16 | A4453 | OVEN PHIAL GUIDE TUBE | AG4M211254 |
| 17 | A2656 | HEAT CONDUCTING PLATE | AG5M210486 |
| 18 | A1856 | ROPE 10mm x 762 LG | JCRP20403 |
| 19 | A2929 | OVEN VENT PIPE BOTTOM | AG4M210488 |
| 20 | | SCREW M12 x 40 CUP PNT SKT HD | KGRB500338 |
| 21 | A2308 | FIRE BARREL GASKET | JGSG210327 |
| 22 | A2306 | FLUE MANIFOLD GASKET | JGSG210328 |
| 23 | A5043 | AIR CIRCULATION BOX ASSY | AE1M230869 |
| 24 | | INSULATION PAD | JPAD230541 |
| 25 | | GASKET AIR DUCT SPIGOT - UP TO M06-171 | JGSG230644 |
| 26 | | CIRCULATION BOX SPIGOT - UP TO M06-171 | AE4M230704 |
| 27 | | BARREL SPIGOT - UP TO M06-171 | AE4M230712 |
| 27A | A5116 | ADAPTOR FIRE BARREL - FROM M06-171 | AE4M230841 |
| 28 | | GASKET BARREL SPIGOT - UP TO M06-171 | JGSG230728 |
| 28A | A5316 | GASKET ADAPTOR - FROM M06-171 | JGSG30845 |
| 32 | | PIPE COPPER 28mm | AG4M210316 |
| 33 | | ELBOW 90° | AE4M230691 |
| 34 | | OVEN VENT MANIFOLD | AE4M230669 |
| 35 | A2319 | OVEN VENT ADJUSTOR C/W GASKET | AG4M210284 |
| 36 | | SEE ITEM 36 | |
| 38 | | JUBILEE CLIP 2"/3" - UP TO M06-171 | KCLP500541 |
| 38A | R4608 | JUBILEE CLIP 4" - FROM M06-171 | KCLP500389 |
| 39 | | AIR CIRCULATION DUCT - UP TO M06-171 | AE4M230737 |
| 39A | | 80mm AIR CIRCULATION DUCT - FROM M06-171 | AE4M230505 |



AGA EC3 (LM) 13 AMP COOKER
 ROASTING OVEN, SIMMERING OVEN

AGA EC3 (LM) 13 AMP COOKER DECEMBER 2008
HOTSPOT, FIRE BARREL & BAKING OVEN

| ITEM No. | CAT No. | DESCRIPTION | PRODUCT CODE |
|----------|---------|---|--------------|
| 1 | A1124 | HOT SPOT | AE4M1-19040 |
| 2 | | FIRE BARREL - UP TO M06-171 | AE5M230743 |
| 2A | | FIRE BARREL - FROM M06-171 | AE5M230840 |
| 4 | A4403 | BARREL HEAT CONDUCTING PLATE | AG5M211029 |
| 5 | A3769 | M10 x 4.5 CAP HEAD | KMIS500337 |
| 7 | | M8 x 60 HX HD SET PIN | KHEX500498 |
| 8 | | BARREL FIXING CLAMP | AG2M210485 |
| 9 | A3289 | BARREL FIXING STUD | KSTD210489 |
| 10 | A4223 | REAR HEAT CONDUCTING PLATE | AG5M211100 |
| 11 | A4224 | BARREL GASKET | JGSG211378 |
| 12 | | CERAMIC ROPE | JCRP342282 |
| 13 | A4225 | TUNNEL ASSY | AG1M211040 |
| 14 | | INSULATION BLOCK TUNNEL | JPAD230705 |
| 15 | | SECURING BAR RESTING PLACE | AG2M211379 |
| 16 | | BAKING OVEN ASSY | AE1M230769 |
| 17 | | SCREW M12 x 30 | KCSK500460 |
| 18 | | ROPE 9mm x 110 | JTHR220116 |
| 19 | A4226 | BOTTOM HEAT CONDUCTING PLATE | AG5M211031 |
| 20 | | M12 SQ NUT | KNUT500013 |
| 21 | | LOWER OVENS SECURING BAR | AG4M211377 |
| 22 | | WASHER M8 x 22 | KWSR53410 |
| 23 | A3625 | M8 x 118 ALLTHREAD | KSTD210019 |
| 24 | | REAR INSULATION PAD | JPAD211289 |
| 25 | A4227 | HEAT CONDUCTION GASKET LOWER | JGSG211409 |
| 26 | A4228 | HEAT CONDUCTION GASKET UPPER | JGSG211410 |
| 28 | A1611 | OVEN BAFFLE PLATE | AG2M210636 |
| 29 | | ELEMENT INSULATION PAD | JPAD230729 |
| 30 | A4390 | ELEMENT C/W TERMINAL BLOCK | AE4M230520 |
| 31 | | SEE ITEM 32 | |
| 31A | | GASKET VENT PIPE SPIGOT - FROM M06-171 | |
| 32 | A2319 | OVEN VENT ADAPTOR C/W GASKET - UP TO M06-171 | AG4M210284 |
| 32A | | SPIGOT OVEN VENT TUBE - FROM M06-171 | RG4M314049 |
| 33 | | ELBOW 90° | AE4M230691 |
| 34 | | BAKING OVEN VENT TUBE - FROM M06-171 | RO4M341445 |
| 35 | | JUBILEE CLIP | KCLP341460 |



AGA EC3 (LM) 13 AMP COOKER
HOTSPOT, FIRE BARREL & BAKING OVEN