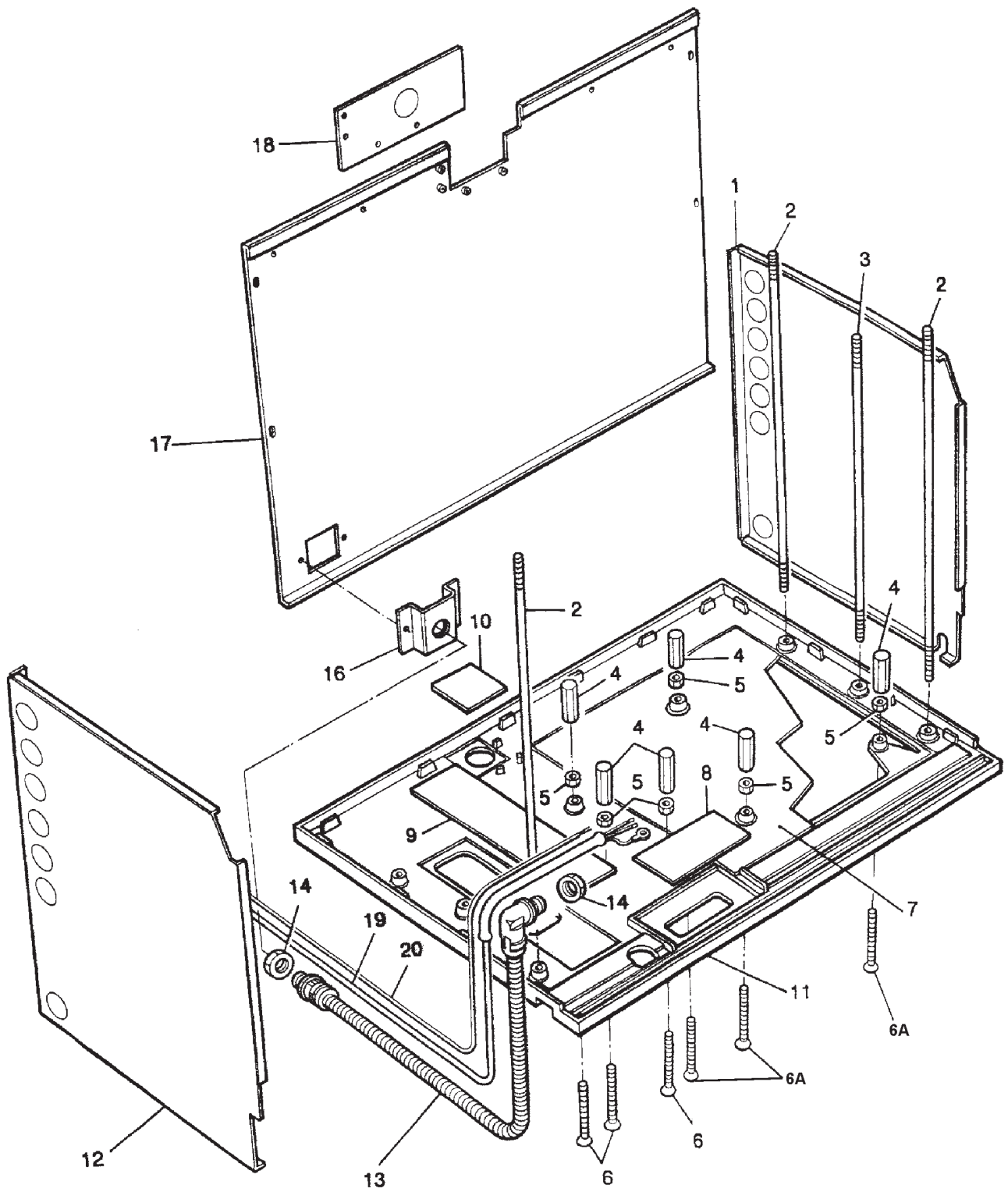


# **AGA ELECTRIC (AIMS) EC3 COOKER**

## ***SPARE PARTS MANUAL***

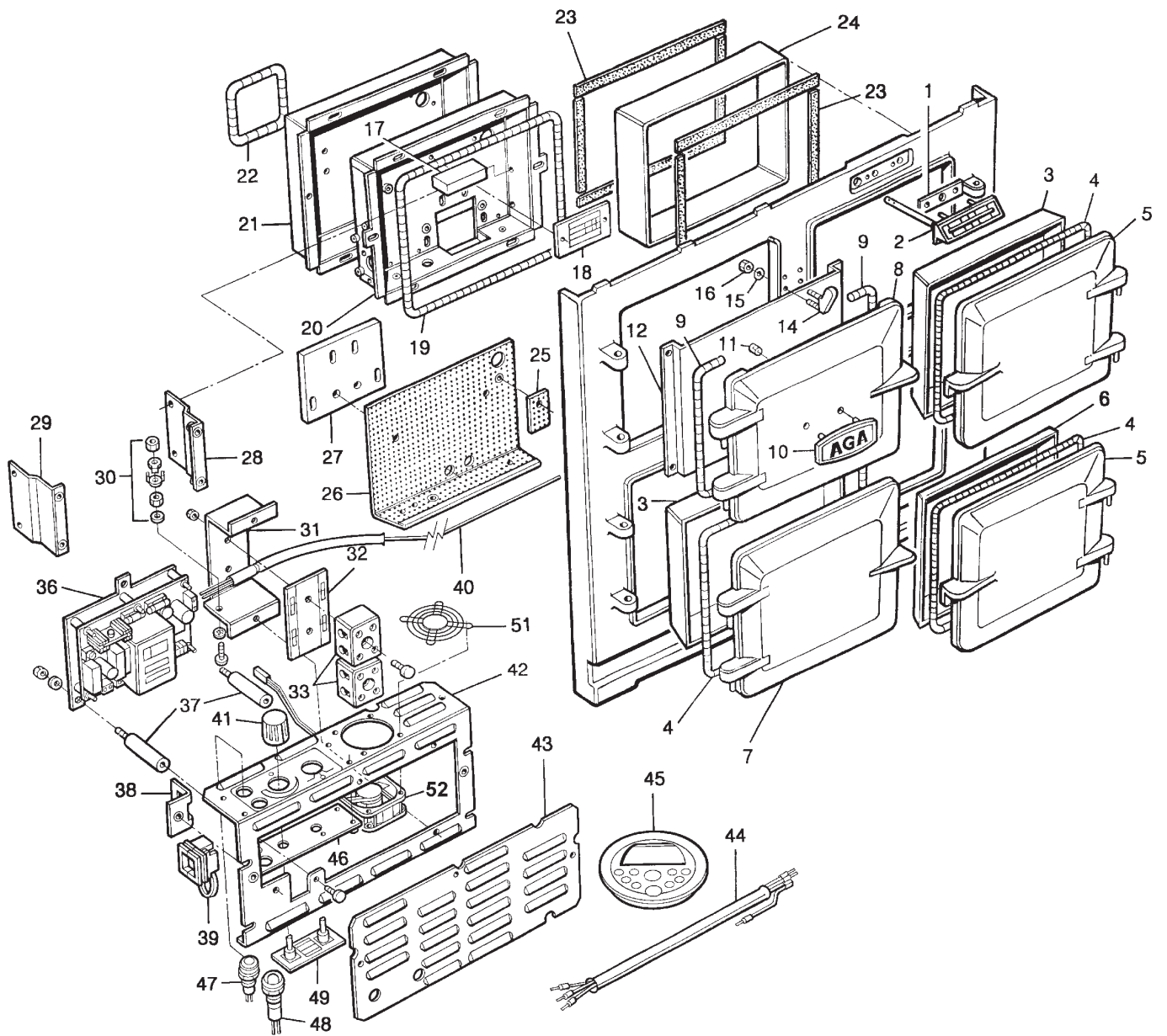


AGA ELECTRIC AIMS EC3 COOKER  
 BASE, SIDES AND BACKPLATE

**AGA ELECTRIC AIMS EC3 COOKER  
BASE, SIDES AND BACK PLATE**

**FEBRUARY 2011**

<b>ITEM No.</b>	<b>CAT No.</b>	<b>DESCRIPTION</b>	<b>PRODUCT CODE</b>
1	A2983	RH SIDE PLATE	AG2V210346
2	A2118	CORNER STAY ROD	AG4M210226
3	A2122	OVEN STAY ROD - TOP	AG4M210229
4	NCA	BURNER CHAMBER SUPPORT STUD ADJUSTER	AO4M220259
5	R5022	M12 HEX FULL NUT	KNUT53135
6	NCA	M12 C/SNK SCREW x 50mm (3-OFF)	KCSK500497
6A	NCA	M12 C/SNK SCREW x 100mm (3-OFF)	KCSK500492
7	A2373	FILLER BASE PLATE - LARGE	AO2M210194
8	A4459	SMALL FILLER PIECE	AS2M90080R
9	A2374	RH BASE FILLER PLATE	AO2V210306
10	A3544	FLUE OUTLET BLANKING PLATE	AG2M210568
12	A2982	LH SIDE PLATE	AG2V210345
13	A4943	CABLE GUIDE TUBE ASSY	AE4M230808
14		PART OF ITEM 13	
16	A4731	CABLE GUIDE TUBE BRACKET	AE2M230612
17	A4732	BACK PLATE	AE2M230500
18	A4868	BLANKING PLATE BACK PANEL	AE2M230593
19	A4901	MAINS CABLE	AE4M230802
20	A4840	MAINS LEAD ELEC. OVEN VENT	AE4M230380



AGA ELECTRIC AIMS EC3 COOKER  
FRONT PLATE & DOORS

**AGA ELECTRIC AIMS EC3 COOKER  
FRONT PLATE & DOORS**

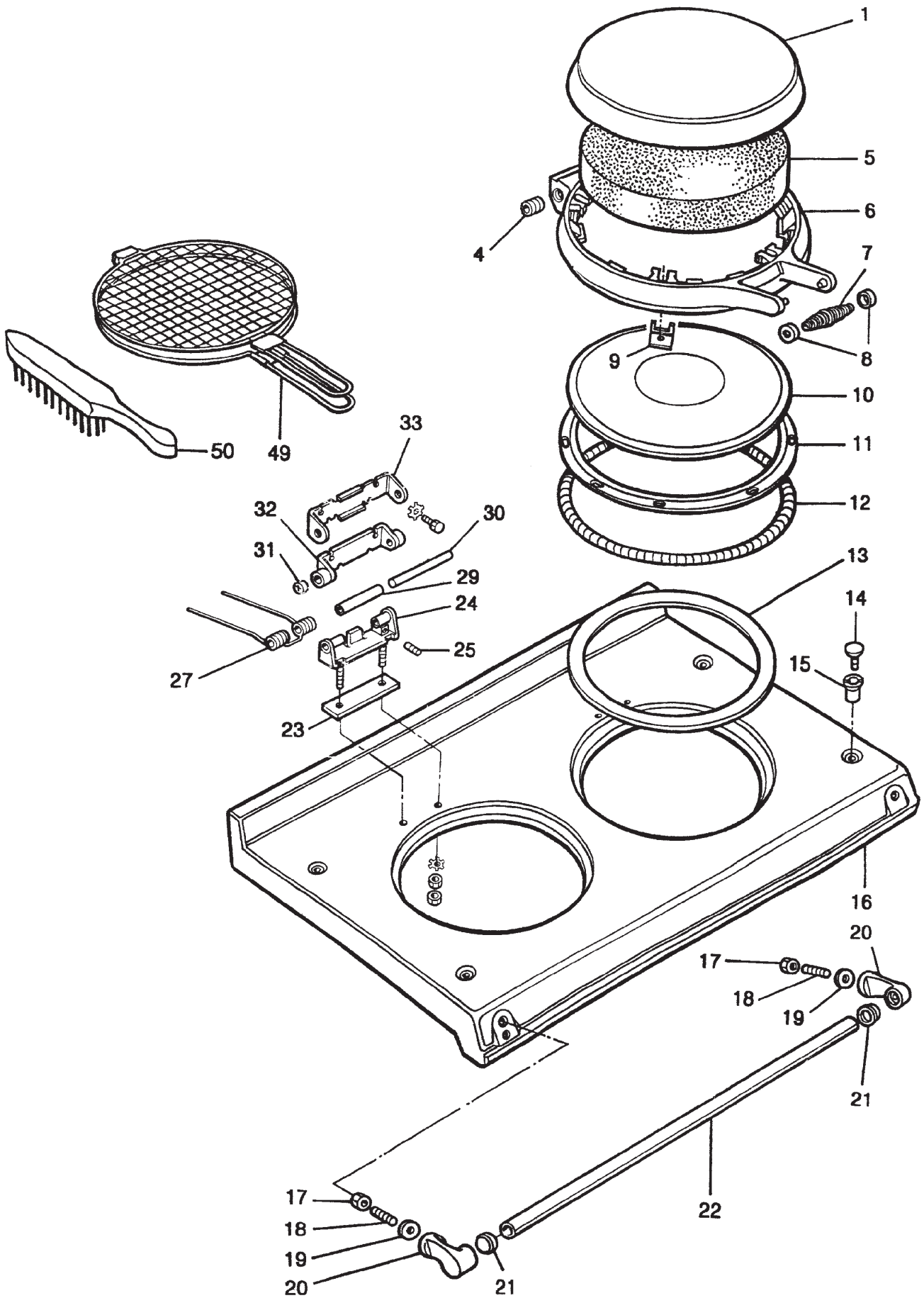
**OCTOBER 2010**

<b>ITEM No.</b>	<b>CAT No.</b>	<b>DESCRIPTION</b>	<b>PRODUCT CODE</b>
1	A2115	THERMOMETER RETAINING PLATE	AO9M220004COMP
2	A1518	THERMOMETER - UP TO M10-048	AO4T46210
2A	A5610	HEAT INDICATOR ASSY - FROM M10-048	AE4M231169
3	A1482	COVER INSULATION	AO2M90347
4	A3935	ROPE T/SEAL - BLACK (TOP DOOR)	AG4M997916
	A3936	ROPE T/SEAL - BLACK (BOTTOM DOOR)	AG4M997917
5	A1709	OVEN DOOR - COMPLETE TOP RH	AS9E1-9285E
5A	A1710	OVEN DOOR - COMPLETE BOTTOM RH	AS9E1-9285F
6	A1482	COVER INSULATION	AO2M90347
7	A1712	DOOR - BTM OVEN	AS9E1-9285H
7A	A4182	OVEN DOOR COMPLETE - LH	AG9M998850
7B	A1712	BOTTOM OVEN DOOR	AS9E1-9285H
8	NCA	BURNER DOOR - COMP EC3	AE9M996010
9	NCA	BLACK ROPE TH No. 4 x 290 LG	JTHR210937X290
10	A2274	NAME BADGE	AG4M210184
11	A1567	PUSH ON FIXING (PAIR)	AO9M38850PR
12	A5171	CONTROL DOOR LINING PANEL	AE2M230919
13	A4962	FRONT PLATE	AG5E211060
13A	A4194	FRONT PLATE COMPLETE	AG1M211332
14	A3956	DOOR CATCH	AG4M250478
15	A4706	DOOR CATCH GASKET	JGSG211270
16	A4707	LOCKING NUT	KNUT500485
17	A5185	CONTROL HOUSING FILLER PAD	JPAD230768
18	NCA	DATA PLATE	AE2M230772
19	NCA	ROPE SEAL	NCA
20	NCA	CONTROL BOX MOUNTING ASSY	AE1M230711
21	NCA	CONTROL HOUSING SHIELD	AE4M230739
22	NCA	ROPE SEAL	NCA
23	NCA	PYROTAPE	NCA
24	A4784	OVEN FRAME KIT	AG4M211602
25	A5104	BLANKING PLATE TOP	AE2M230731
26	A5103	CONTROL MOUNTING BOX BAFFLE	AE2M230713
27	A5003	INSULATION KIT	AE4M230785
28	A5578	FRONT PLATE BRACKET - RIGHT	AE2M230709
29	NCA	FRONT PLATE BRACKET - LEFT	AE2M230745
30	NCA	EARTH POST	NCA
31	NCA	TERMINAL BLOCK BRACKET	AE2M230749
32	NCA	LABEL - TERMINAL BLOCK	AE4M230902
33	A1109	2-WAY TERMINAL BLOCK	AE4M45679
36	A5208	PCB CONTROLLER (PAV) - UP TO M08-179	AE9M997784
36A	A5203	PCB RELAY PART OF 36 (PAV) - UP TO M08-179	AE4M230956
36B	A5536	PCB CONTROLLER (TEKELEK) - FROM M08-179	AE4M230996
	A5440	13A TEKELEK AIMS CBRD + E. HRNS	AE9M997918
37	A5383	SPACER CONTROLLER - FIXING	AE4M230784
38	A5630	CABLE CLAMP BRACKET	AE2M230757
39	A5238	CABLE CLAMP	AE4M230764
40	A5126	OVEN THERMOCOUPLE - 500mm	AE4M230888
41	NCA	CONTROL KNOB - PART OF ITEM 50	NCA
42	A5572	HOUSING FRONT PANEL	AE2M230878
43	A5235	FRONT PANEL COVER	AE2M230882
44	NCA	WIRING HARNESS	NCA
45	A5196	REMOTE CONTROL HANDSET (PAV) - UP TO M08-179	AE4M230894
45A	A5439	HANDSET (TEKELEK) - FROM M08-179 - TO M10-048	AE4M230995
45B	A5608	HEAT INDICATOR HANDSET - FROM M10-048	AE4M231171
46	A5222	FAN BUTTON - PART OF ITEM 50 (PAV)	AE4M230959
47	A5214	LED - VENT FAN - PART OF ITEM 50 (PAV)	AE4M230958
48	NCA	NEON LAMP - PART OF ITEM 50 (PAV)	NCA

**AGA ELECTRIC AIMS EC3 COOKER  
FRONT PLATE & DOORS**

**JANUARY 2011**

ITEM No.	CAT No.	DESCRIPTION	PRODUCT CODE
49	NCA	RIBBON CONNECTOR - PART OF ITEM 50	NCA
50	A5234	CONTROL PLATE ASSEMBLY (PAV) - UP TO M08-179	AE4M230910
50A	A5441	CONTROL PLATE ASSEMBLY (TEKELEK) - FROM M08-179	AE4M230997
51	A5392	FINGER GUARD	AE4M230918
52	A5219	COMPACT FAN	AE4M230917
	A5538	AIMS TEKELEK UPGRADE KIT	AE4M997803

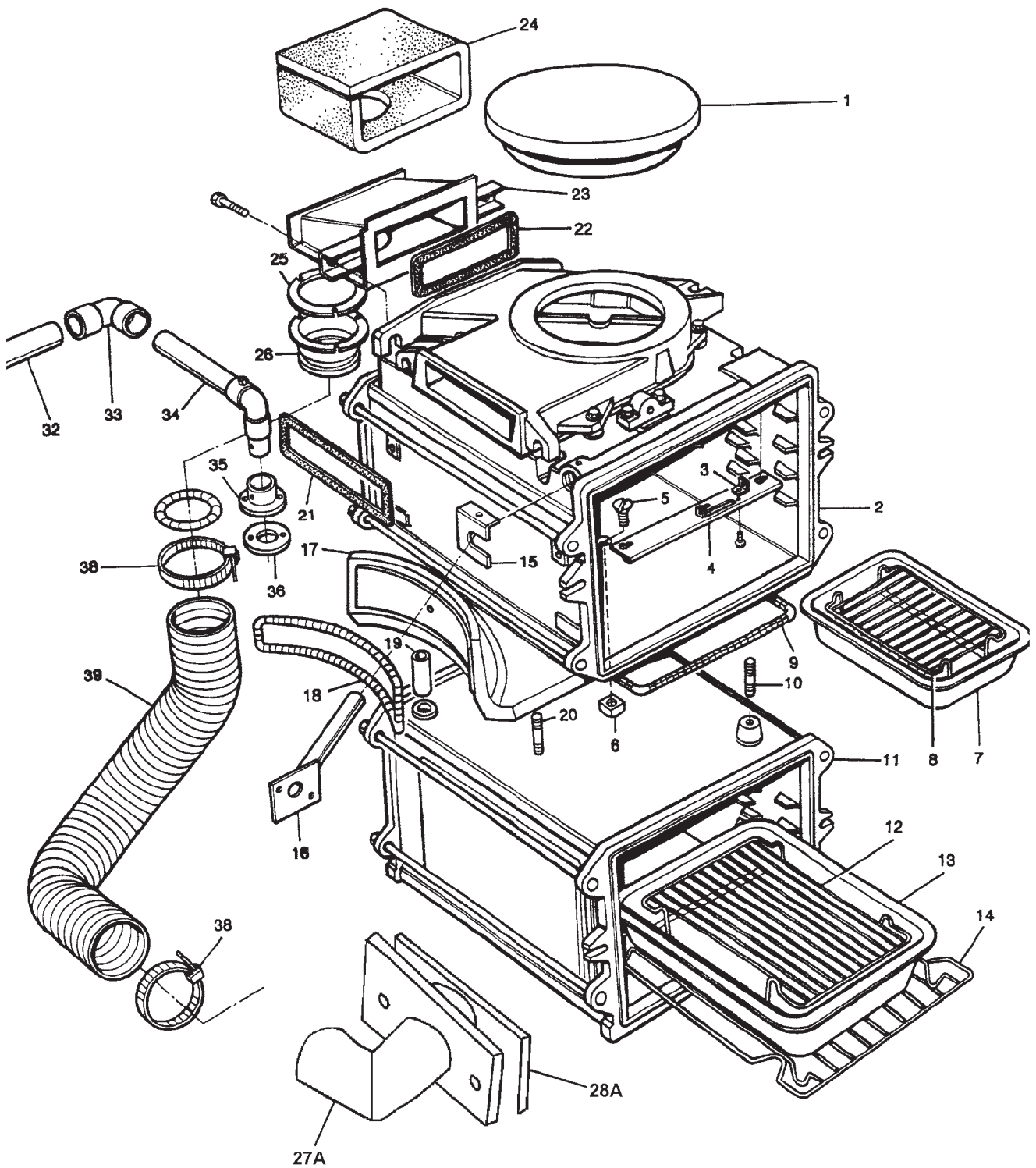


AGA ELECTRIC AIMS EC3 COOKER  
TOP PLATE, INSULATING LIDS, SHROUD, WIRING ASSY

**AGA ELECTRIC AIMS EC3 COOKER      OCTOBER 2010  
TOP PLATE, INSULATING LIDS, SHROUD, WIRING ASSY**

<b>ITEM No.</b>	<b>CAT No.</b>	<b>DESCRIPTION</b>	<b>PRODUCT CODE</b>
1	A3614	ST/STEEL INSULATING LID COVER	AG4M210905-K
	NCA	INSULATING LID CI (NOT SHOWN)	AG5E211528
	A4637	STEEL DOME ASSY - COMPLETE	AG1M211766
4	A4816	M12 x 16 GRUB SCREW	KGRB500520
5	A5074	DOME INSULATION PAD - 50mm	JPAD211934
6	A4825	INSULATING LID OUTER RING	AG5E211310
7	R3028	COIL HANDLE	RO4M340522
8	R3029	INSULATING LID HANDLES CUPS	RO4M340521
9	A3636	DOME CLAMPING BRACKETS ST/ST LIDS ONLY	AG4M210904
10	A1632	INSULATING LID LINING RH	AS4M34760
11	A1647	INNER HOLDING RING	AS4M40980
12	A1863	DOME SEALING ROPE	JMAR20410
13	A1342	INSULATING RING	AG5M210840
14	A2119	CORNER STAY BUTTON - 5/16" BSW	AG4M210228
15	A2123	CORNER STAY NUT 5/16" BSW	AG4M210244
16	A3510	TOP PLATE	AG5E210303
17	R2630	NUT M8 x 35 LG	KNUT53061
18	A4192	ALLTHREAD M8 x 35 LG	KSTD500010
19	A3664	WASHER M8 ID S/PROOF ST/ST	KWSR53346
20	A2314	HANDRAIL BRACKET	AG4M210853
21	A2975	VINYL END CAP	AG4M210660
22	A1630	HANDRAIL	AG4M210642
23	A2589	HINGE BLOCK GASKET	JGSG210477
23A	NCA	GASKET HINGE BLOCK - VE LIDS (FROM M06-170)	JGSG211914
24	A4641	HINGE ASSY WITHOUT SPRING	AG4M211742
24A	A4642	HINGE ASSY WITH SPRING - VE (UP TO M06-170)	AG4M211743
24B	A5157	HINGE ASSY - VE LIDS (FROM M06-170)	AG4M211921
25	A5404	SCREW M5 x 16 LG GRUB	KGRB500521
27	A3646	SPRING (PART OF ITEM 24A)	AG4M210774
29	NCA	SPINDLE SLEEVE (PART OF 24 & 24A)	AG4M997030
30		PART OF ITEM 24 & 24A	
31	A4658	ADJUSTER (PART OF 24 & 24A)	AG4M997031
32		PART OF ITEM 24 & 24A	
33		PART OF ITEM 24 & 24A	
49	A1843	TOASTER	EACS47380
50	A1841	WIRE BRUSH	EACS23230

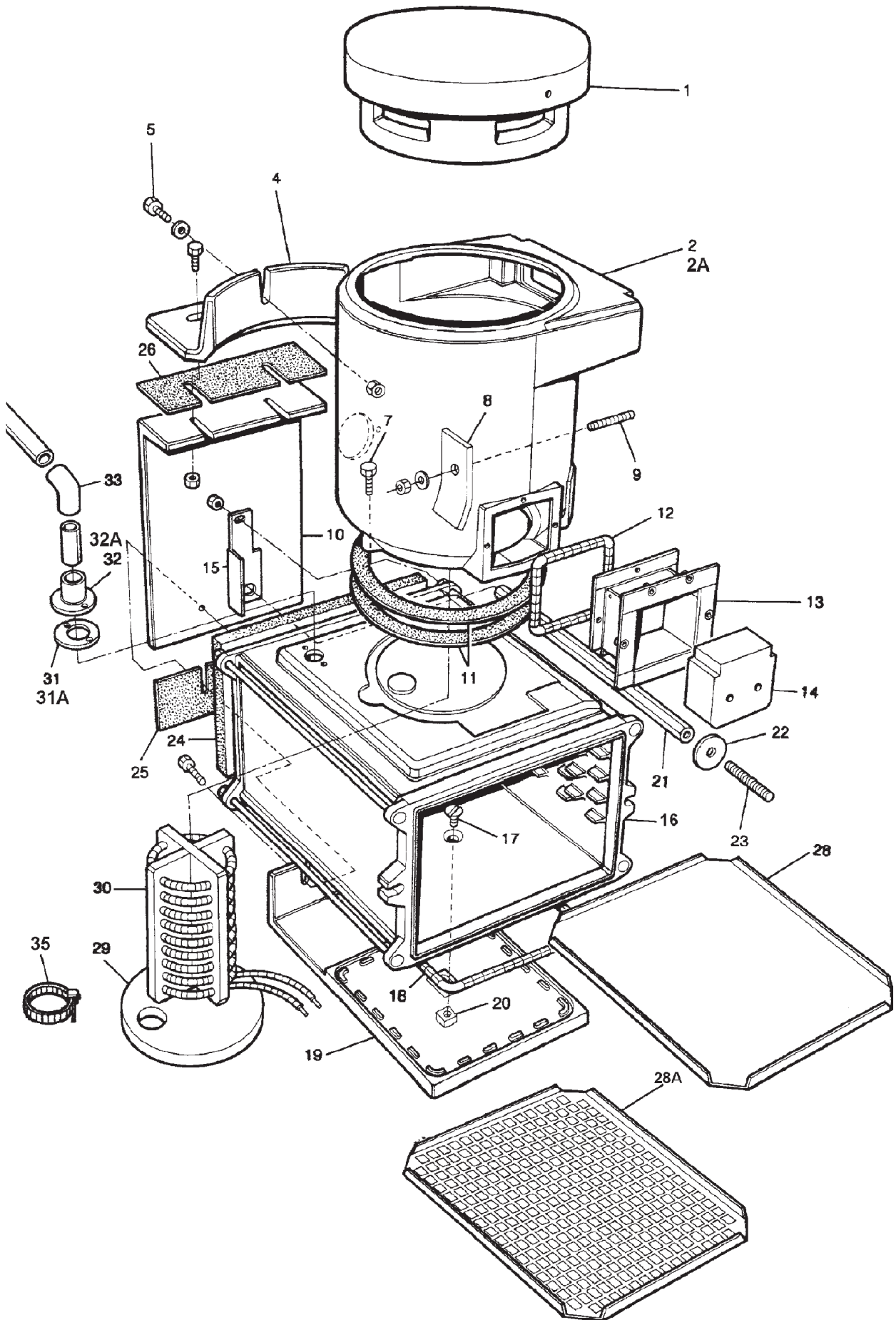




AGA ELECTRIC AIMS EC3 COOKER  
ROASTING OVEN, SIMMERING OVEN

**AGA ELECTRIC AIMS EC3 COOKER      OCTOBER 2010**  
**ROASTING OVEN & SIMMERING OVEN**

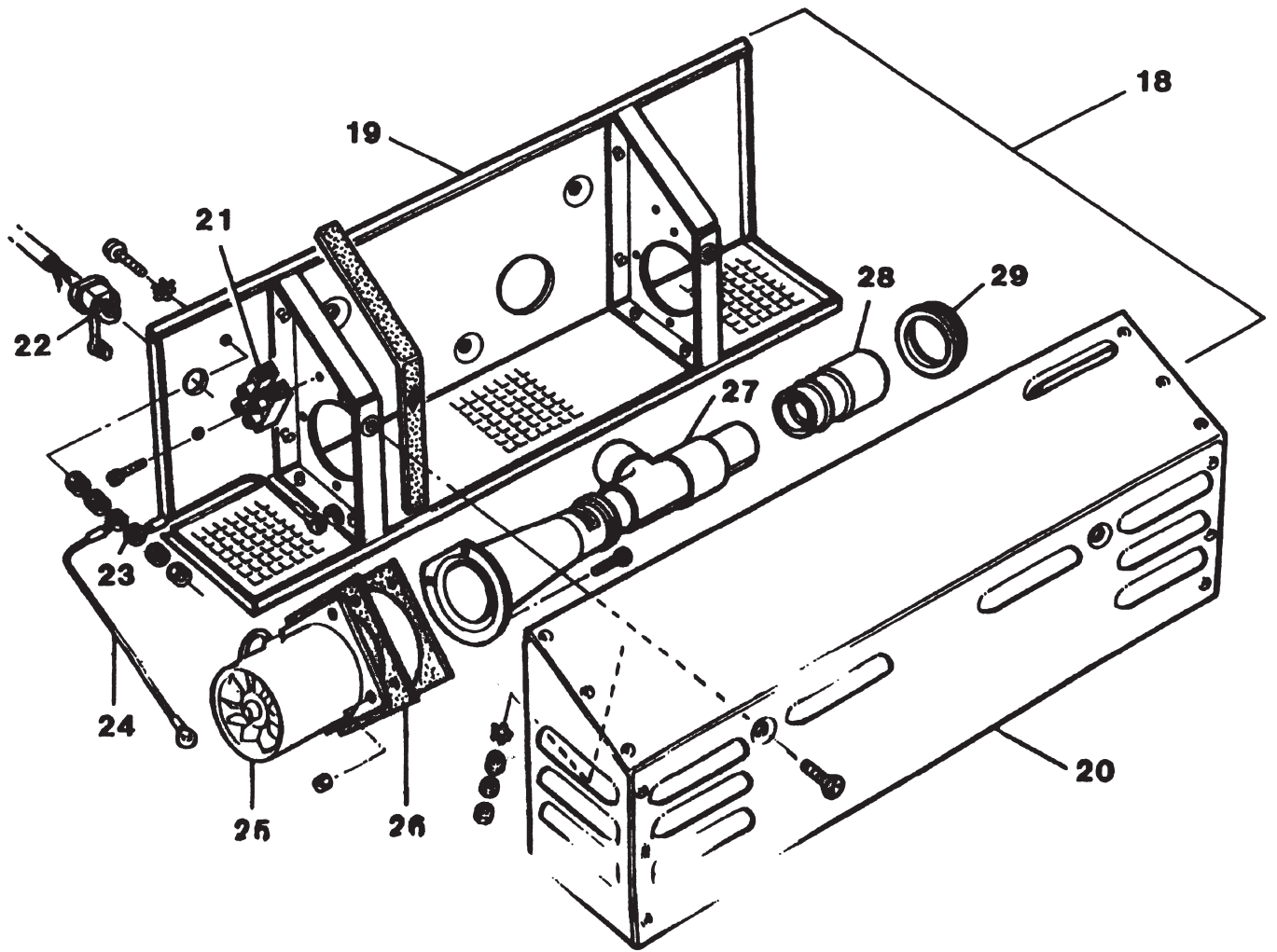
ITEM No.	CAT No.	DESCRIPTION	PRODUCT CODE
1	A1527	SIMMERING PLATE	AO5M2-695
2	A1195	ROASTING OVEN ASSY	AG1M-RO-BF1
3	A3739	PHIAL SECURING ANGLE	AO2M220147
4	A3723	STAT PHIAL SUPPORT ASSY	AO1M220145
5	NCA	SCREW M12 x 30 LG	NCA
6	NCA	NUT M12 SQUARE	NCA
7	A3284	ROASTING TIN - SMALL	EMTY530217
8	A2312	GRILL RACK - SMALL	AG4M210269
9	A2961	SEALING ROPE 9mm x 1165 LG	JTHR220116
10	NCA	SCREW M12 x 40mm CUP PNT SKT HD	KGRB500338
11	A1476	SIMMERING OVEN ASSY	AG1M-SO-NF
12	A2313	GRILL RACK - LARGE	AG4M210268
13	A3285	ROASTING TIN - LARGE	EMTY530218
14	A1282	OVEN GRID SHELF	AE4M211863
15	A4750	PHIAL GUIDE TUBE LOCATION BRACKET	AG2M211287
16	A4453	OVEN PHIAL GUIDE TUBE	AG4M211254
17	A2656	HEAT CONDUCTING PLATE	AG5M210486
18	A1856	ROPE 10mm x 762 LG	JCRP20403
19	A2929	OVEN VENT PIPE BOTTOM	AG4M210488
20	NCA	SCREW M12 x 40 CUP PNT SKT HD	KGRB500338
21	A2308	GASKET - OUTER BARREL	JGSG210327
22	A2306	FLUE MANIFOLD GASKET	JGSG210328
23	A5043	AIR CIRCULATION BOX ASSY	AE1M230869
24	A5030	INSULATION PAD	JPAD230541
25	A5007	GASKET AIR DUCT SPIGOT - UP TO M06-171	JGSG230644
26	NCA	CIRCULATION BOX SPIGOT - UP TO M06-171	AE4M230704
27	NCA	BARREL SPIGOT - UP TO M06-171	AE4M230712
27A	A5116	ADAPTOR FIRE BARREL - FROM M06-171	AE4M230841
28	A5147	GASKET BARREL SPIGOT - UP TO M06-171	JGSG230728
28A	A5316	GASKET ADAPTOR - FROM M06-171	JGSG230845
32	A2329	PIPE COPPER 28mm	AG2M210316
33	A5031	ELBOW 90°	AE4M230691
34	A4934	OVEN VENT MANIFOLD	AE4M230669
35	A2319	OVEN VENT ADJUSTOR C/W GASKET	AG4M211288
36		SEE ITEM 36	
38	R5593	JUBILEE CLIP 2"/3" - UP TO M06-171	KCLP500541
38A	R4608	JUBILEE CLIP 4" - FROM M06-171	KCLP500389
39	A5034	AIR CIRCULATION DUCT - UP TO M06-171	AE4M230737
39A	A4486	80mm AIR CIRC DUCT - FROM M06-171	AE4M230505



AGA ELECTRIC AIMS EC3 COOKER  
HOTSPOT, FIRE BARREL & BAKING OVEN

**AGA ELECTRIC AIMS EC3 COOKER      OCTOBER 2010  
HOTSPOT, FIRE BARREL & BAKING OVEN**

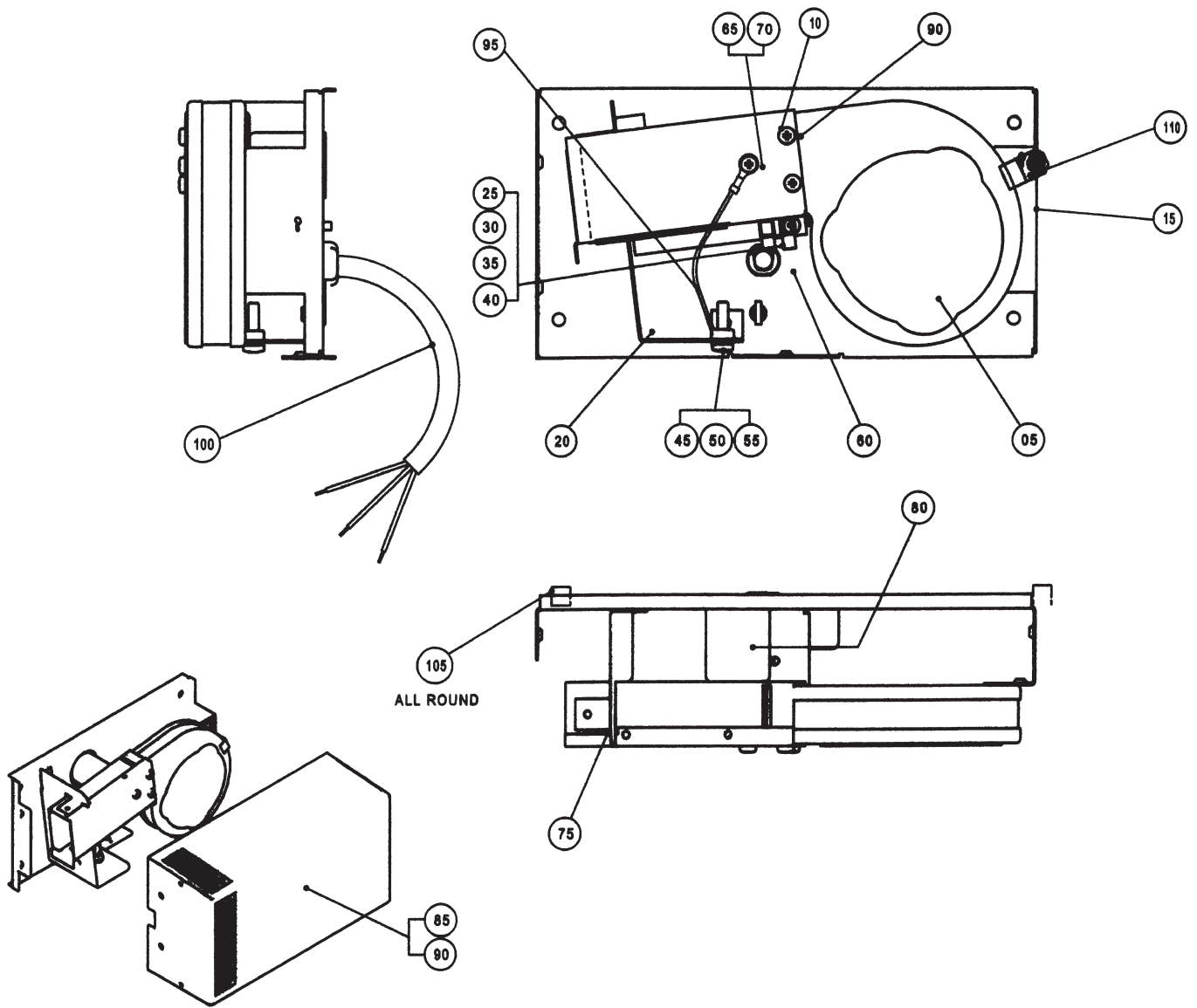
ITEM No.	CAT No.	DESCRIPTION	PRODUCT CODE
1	A1124	HOT SPOT	AE4M1-19040
2	A4935	FIRE BARREL - UP TO M06-171	AE5M230743
2A	A5042	FIRE BARREL - FROM M06-171	AE5M230840
4	A4403	BARREL HEAT CONDUCTING PLATE	AG5M211029
5	A3769	M10 x 40mm CAP HEAD	KMIS500337
7	A4936	M8 x 60 HX HD SET PIN	KHEX500498
8	A3166	BARREL FIXING CLAMP	AG2M210485
9	A3289	BARREL FIXING STUD	KSTD210489
10	A4223	REAR HEAT CONDUCTING PLATE	AG5M211100
11	A4224	BARREL GASKET	JGSG211378
12	R5100	CERAMIC ROPE	JCRP342282
13	A4225	TUNNEL ASSY	AG1M211040
14	A5237	INSULATION BLOCK TUNNEL	JPAD230705
15	A4781	SECURING BAR RESTING PLACE	AG2M211379
16	A4919	BAKING OVEN ASSY	AE1M230769
17	NCA	SCREW M12 x 30	KCSK500460
18	A2961	ROPE 9mm x 1165mm	JTHR220116
19	A4226	BOTTOM HEAT CONDUCTING PLATE	AG5M211031
20	A3639	M12 SQ NUT	KNUT500013
21	A4837	LOWER OVENS SECURING BAR	AG4M211377
22	NCA	WASHER M8 x 22	KWSR53410
23	A3625	M8 x 118 ALLTHREAD	KSTD210019
24	A4630	REAR INSULATION PAD	JPAD211289
25	A4227	HEAT CONDUCTION GASKET LOWER	JGSG211409
26	A4228	HEAT CONDUCTION GASKET UPPER	JGSG211410
28	A1611	OVEN BAFFLE PLATE - PLAIN	AG2M210636
28A	A4467	OVEN BAFFLE PLATE - PERFORATED (FROM M09-188)	AG2M211648
29	A5035	ELEMENT INSULATION PAD	JPAD230729
30	A4390	ELEMENT C/W TERMINAL BLOCK	AE4M230520
31		SEE ITEM 32	
31A	A2966	GAS VENT PIPE SPIGOT - FROM M06-171	RG4M30413
32	A5283	OVEN VENT ADAPTOR C/W GASKET - UP TO M06-171	AG1M210284
32A	R3526	SPIGOT OVEN VENT PIPE - FROM M06-171	RG4M314049
33	A5031	ELBOW 90°	AE4M230691
34	R4917	BAKING OVEN VENT TUBE - FROM M06-171	RO4M341445
35	R4949	JUBILEE CLIP	KCLP341460



AGA ELECTRIC AIMS EC3 COOKER  
OVEN VENT FAN ASSEMBLY - UP TO M08-174

**AGA ELECTRIC AIMS - EC3 COOKER    OCTOBER 2010  
OVEN VENT FAN ASSEMBLY - UP TO M08-174**

<b>ITEM No.</b>	<b>CAT No.</b>	<b>DESCRIPTION</b>	<b>PRODUCT CODE</b>
18	A2107	OVEN VENT FAN ASSEMBLY	AE9M230005COMP
19	A4899	HOUSING ASSEMBLY	AE1M230093
20	A5305	OVEN VENTING FAN ASSY	AE1M231006
21	A2471	12-WAY TERMINAL BLOCK	AE4M45669
22	R2433	STRAIN RELIEF BUSH	GG4M24197
23	NCA	EARTH WIRE	AE1M600104
24	NCA	EARTH WIRE	AE1M600054
25	A1086	FAN	AE4M29239
26	A1876	GASKET	JPAD37254
27	A4869	DUCT ASSEMBLY	AE4M230094
28	NCA	OUTLET NOZZLE	AE4M40650
29	NCA	GROMMET	AE4M230092



AGA ELECTRIC AIMS EC3 COOKER  
 OVEN VENT FAN ASSEMBLY - FROM M08-174

**AGA ELECTRIC AIMS - EC3 COOKER    OCTOBER 2010  
OVEN VENT FAN ASSEMBLY - FROM M08-174**

<b>ITEM No.</b>	<b>CAT No.</b>	<b>DESCRIPTION</b>	<b>PRODUCT CODE</b>
	A5305	OVEN VENTING FAN ASSY (ITEMS INCLS 05, 10, 25, 30, 40, 45, 50, 55, 60, 65, 70, 75, 80, 85, 90, 95, 100, 105, 110)	AE1M231006
05	A5384	FAN - 24V 5W	AE4M230946
10	NCA	DUCT ASSEMBLY	AE1M231007
15	NCA	BACK PLATE	AE2M230991
20	NCA	SUPPORT PLATE	AE2M230950
25	A2471	12-WAY TERMINAL BLOCK	AE4M45669
30	NCA	M3 x 6 LG POZI PAN HD	KPAN500045
35	NCA	M4 PLAIN WASHER	KWSR53667
40	NCA	NUT M3 HEX	KNUT500099
45	NCA	M3.5 x 16 LG PAN HD SCREW	KPAN500367
50	R5839	M4 EXT SHAKEPROOF WASHER	KWSR53282
55	NCA	M3.5 FULL NUT	KNUT500379
60	R2433	STRAIN RELIEF BUSH	GG4M24197
65	R4645	M4 x 10mm POZI PAN HD	KPAN500385
70	NCA	M4 FULL NUT	KNUT52917
75	A4363	3.2mm x 6mm LG POP RIVET	KRPT41079
80	A5411	VENT FAN CASTING	AE4M230962
85	NCA	FRONT COVER	AE2M230992
90	NCA	No. 8 x 3/8" LG SELF TAPPER	KPAN52549
95	NCA	EARTH WIRE FIRE ASSY	AE4M230976
100	A4840	MAINS CABLE	AE4M230380
105	NCA	TAPE ADHESIVE	AE4M20088
110	NCA	FAN SUPPORT BRACKET	AE2M231005